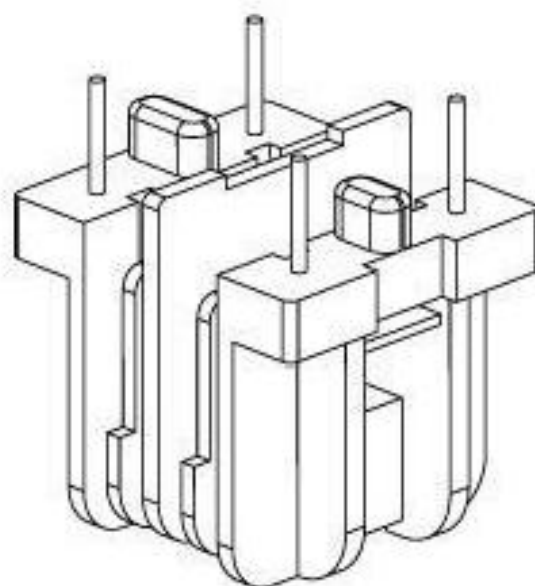
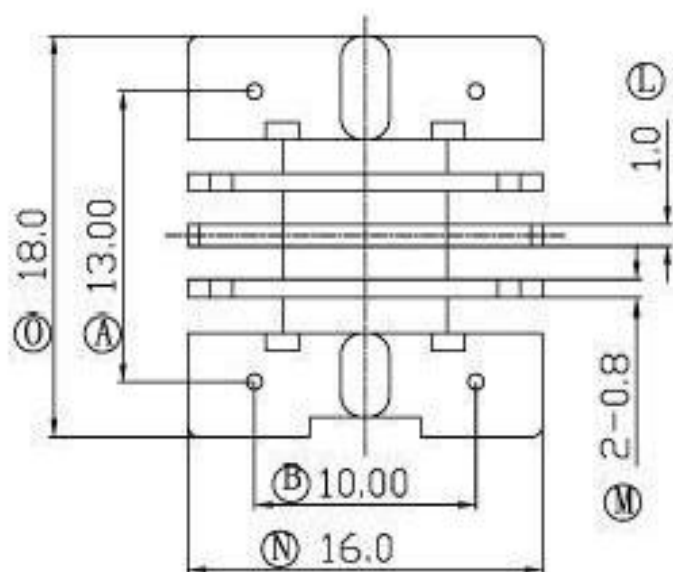
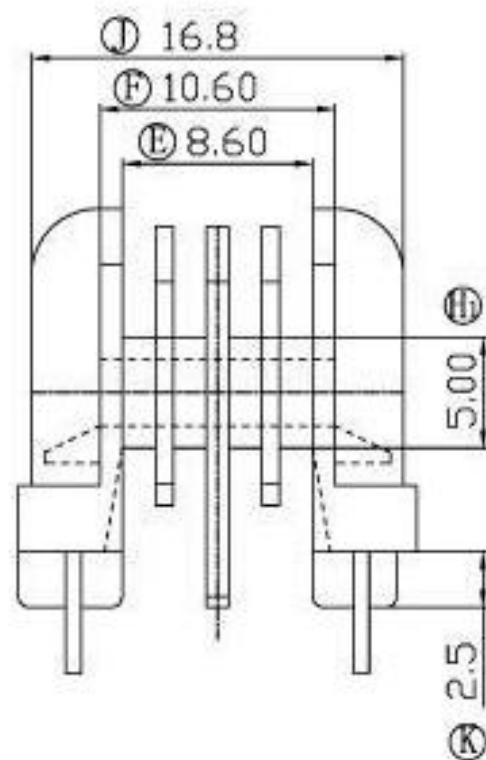
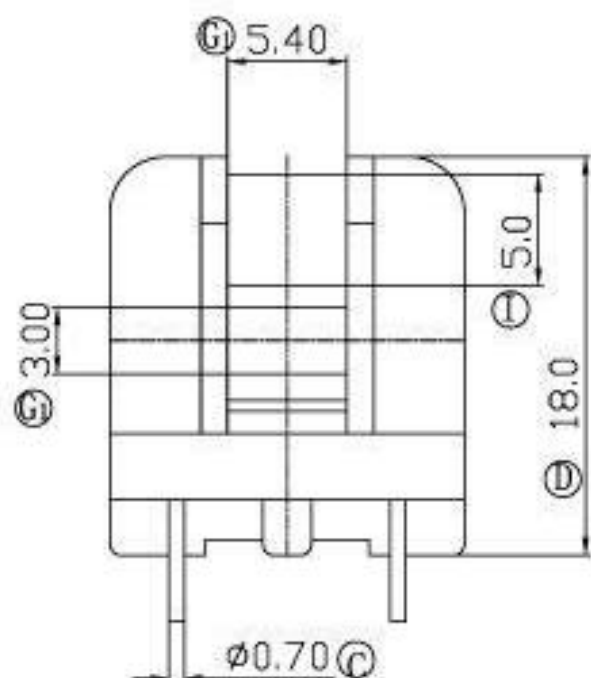


UU-1055



TOLERANCE		MODEL NAME:	UU-10.5-4S
X.X	± 0.3	BOBBIN MATERIAL:	PHENOLIC
X.XX	± 0.2	SCALE:	4:1
壁厚:	± 0.15	SCALE:	UL 94V-0
PIN PITCH	± 0.2	SCALE:	