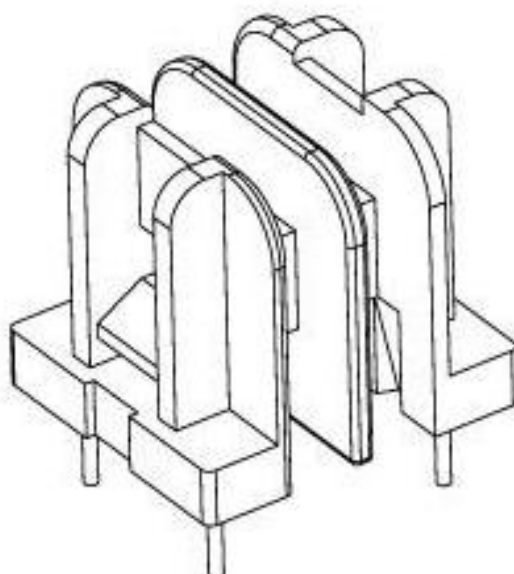
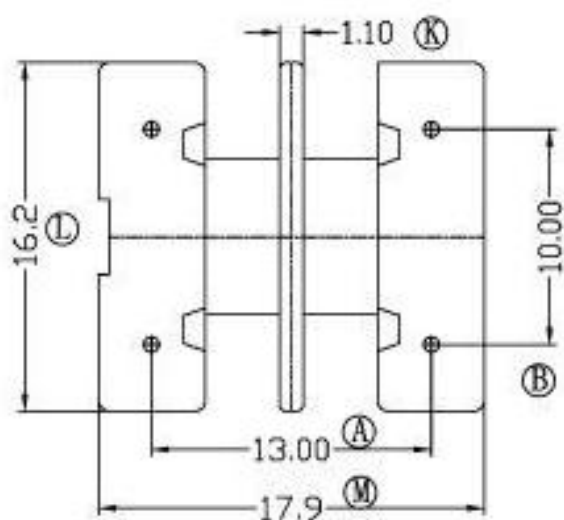
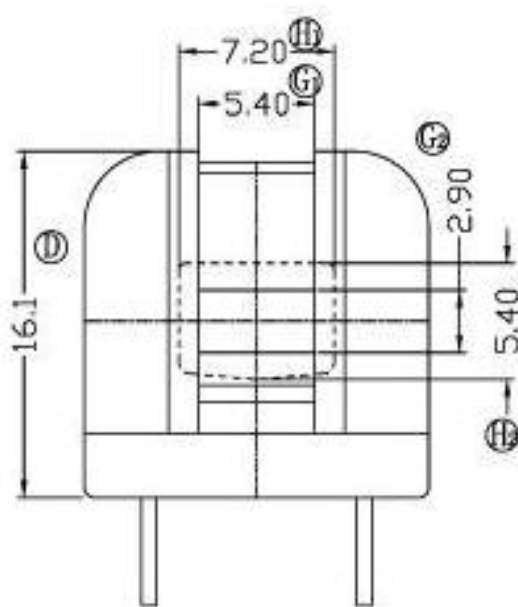
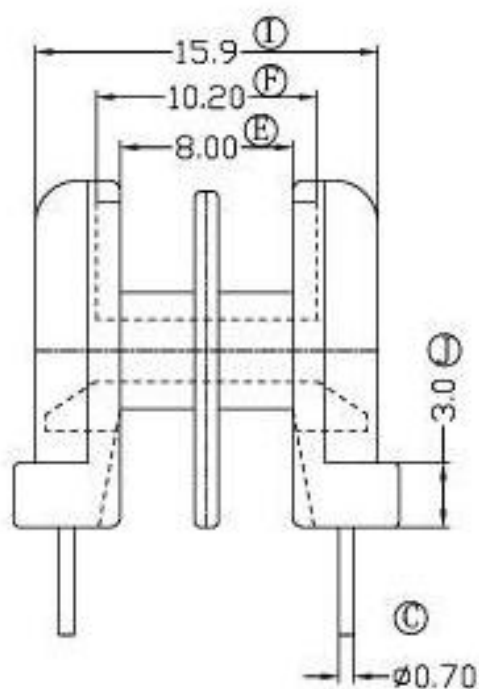


UU-1054



TOLERANCE		MODEL NAME: UU-10.5-2S	
X. X	± 0.3	BOBBIN MATERIAL: PHENOLIC	
X. XX	± 0.2	SCALE: 4:1	SCALEB: UL 94V-0
壁厚:	± 0.15	SCALE:	
PINPITCH	± 0.2		