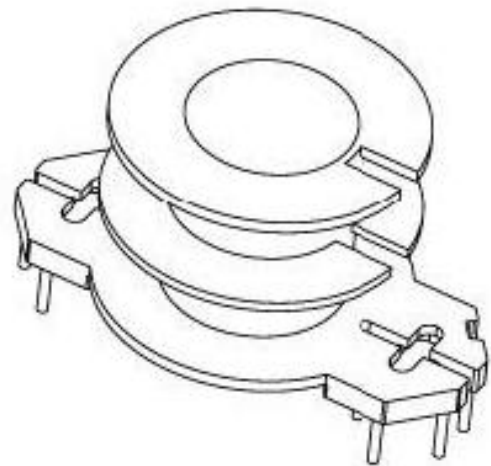
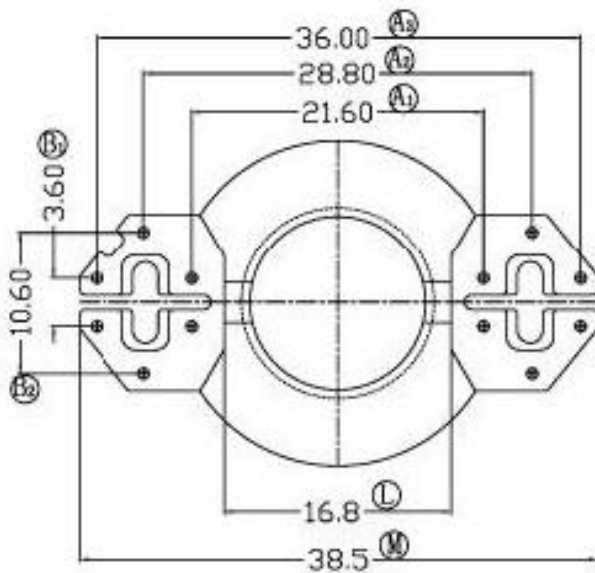
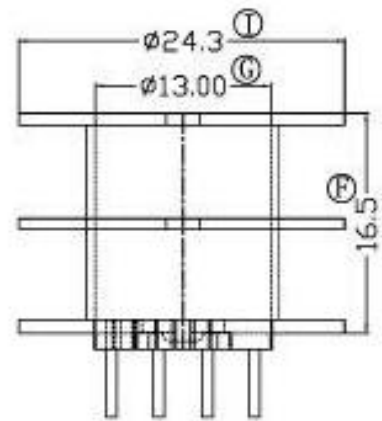
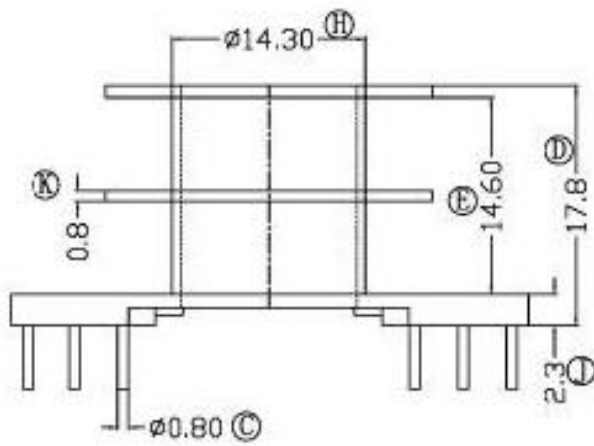


# RM-1201-1



TOLERANCE		MODEL NAME: RM12-12P-2S	
X. X	$\pm 0.3$	BOBBIN MATERIAL: PHENOLIC	
X. XX	$\pm 0.2$	SCALE: 2:1	SCALE: UL 94V-0
壁厚:	$\pm 0.15$		SCALE: M/M
PINPITCH	$\pm 0.2$		