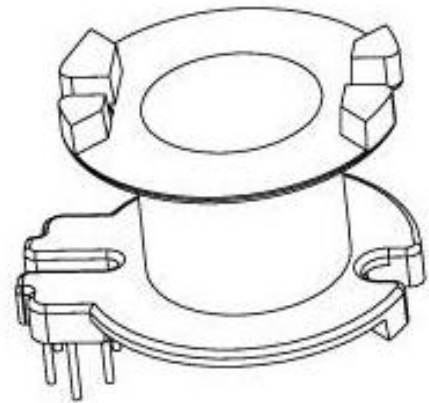
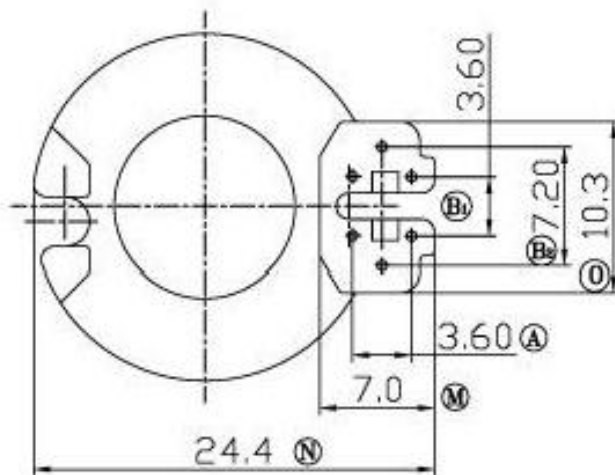
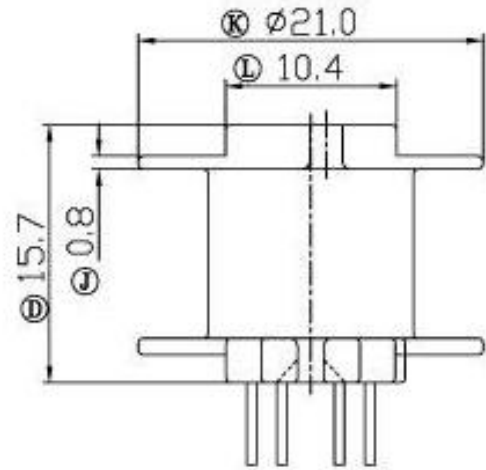
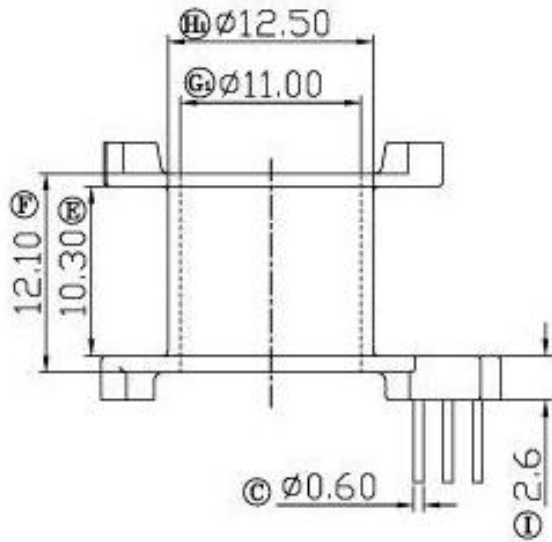
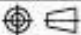


# RM-1003



TOLERANCE		MODEL NAME: <b>RM-10-6P</b>	
		BOBBIN MATERIAL: <b>PHENOLIC</b>	
X. X	$\pm 0.3$	SCALE: 2:1	SCALE: UL 94V-0
X. XX	$\pm 0.2$		SCALE: M/M
壁厚:	$\pm 0.15$		
PINPITCH	$\pm 0.2$		