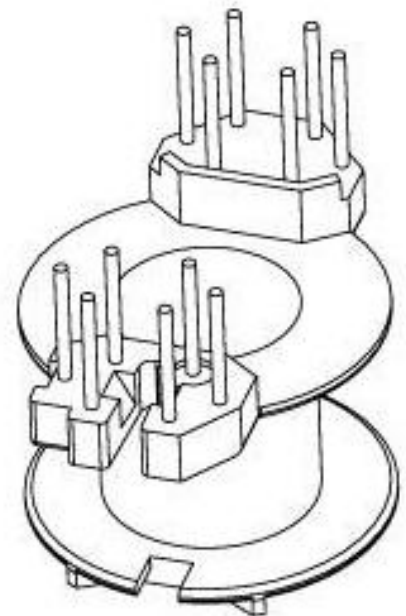
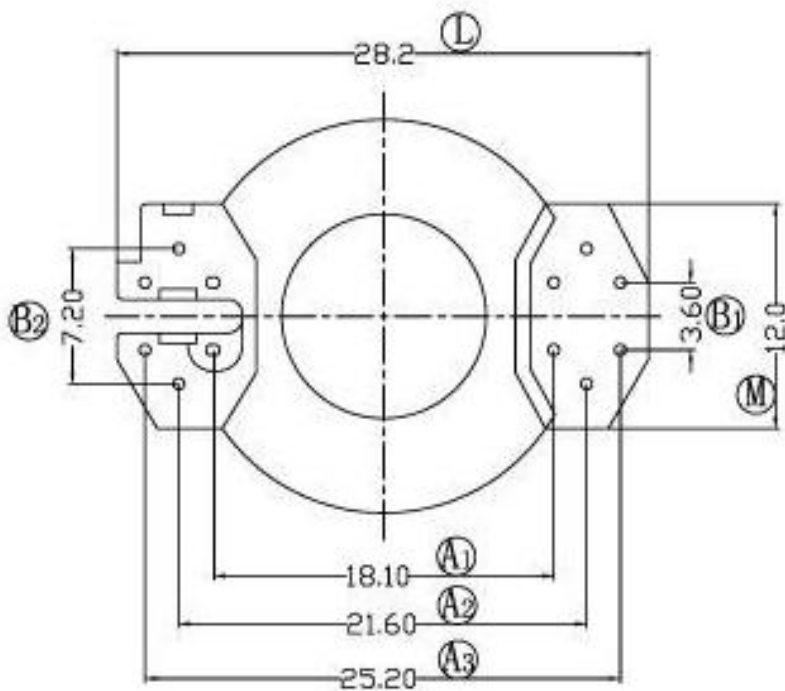
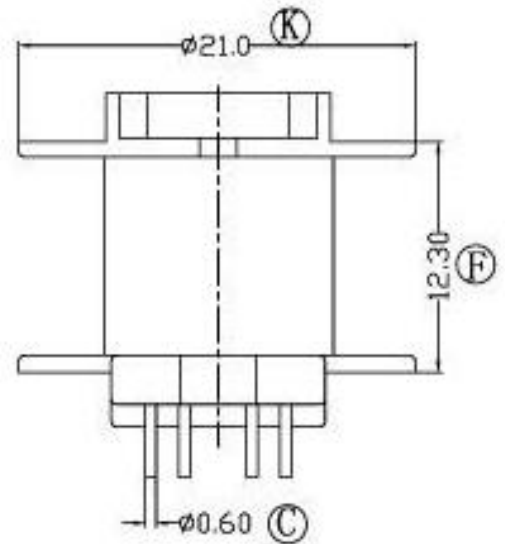
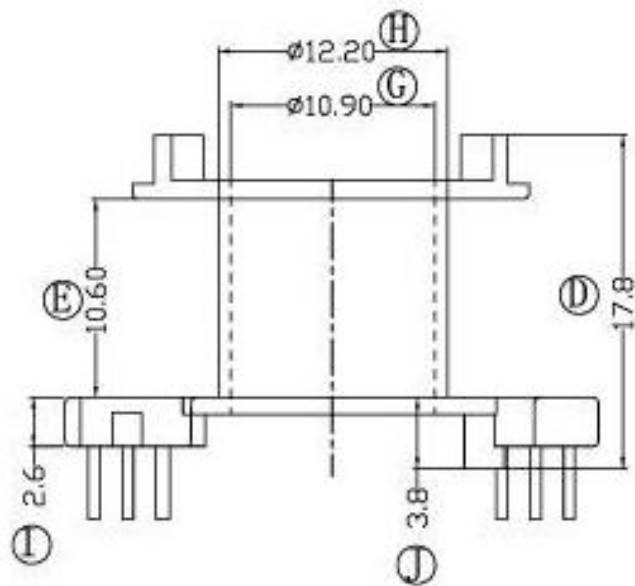

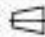


RM-1002



TOLERANCE		MODEL NAME: RM10-12P-1S	
X . X	± 0.3	BOBBIN MATERIAL: PHENOLIC	
X . XX	± 0.2	SCALE: 2:1	SCALE: UL 94V-0
壁厚:	± 0.15	  SCALE: M/M	
PINPITCH	± 0.2		