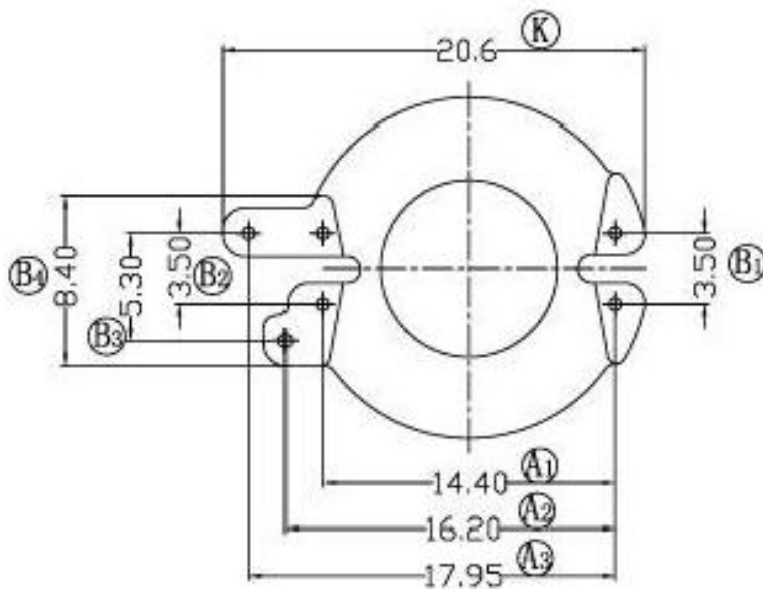
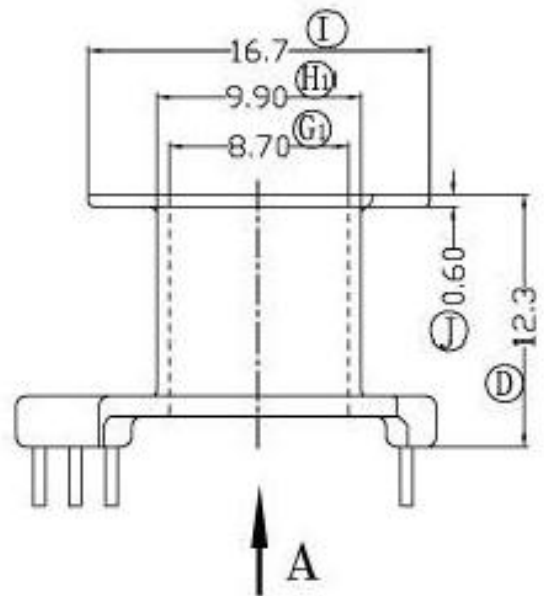
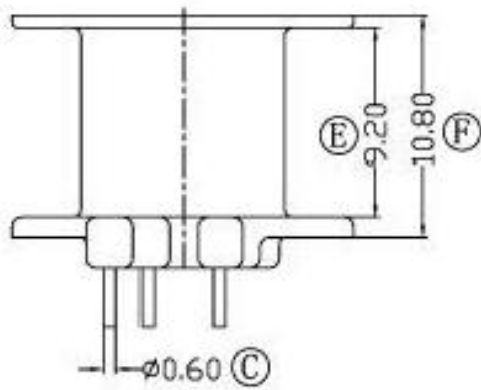
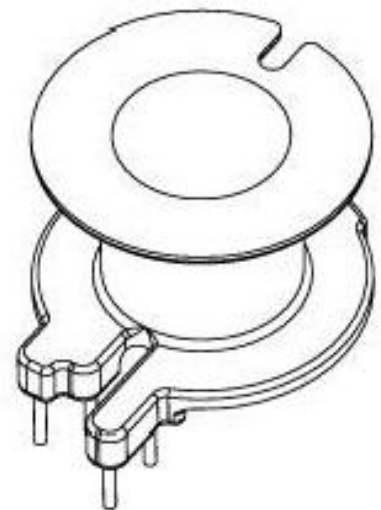


RM-0802



A 向



TOLERANCE		MODEL NAME: RM-8 (2+4P)	
X, X	± 0.3	BOBBIN MATERIAL: PHENOLIC	
X, XX	± 0.2	SCALE: 2:1	SCALE: UL 94V-0
壁厚:	± 0.15		
PINPITCH	± 0.2		