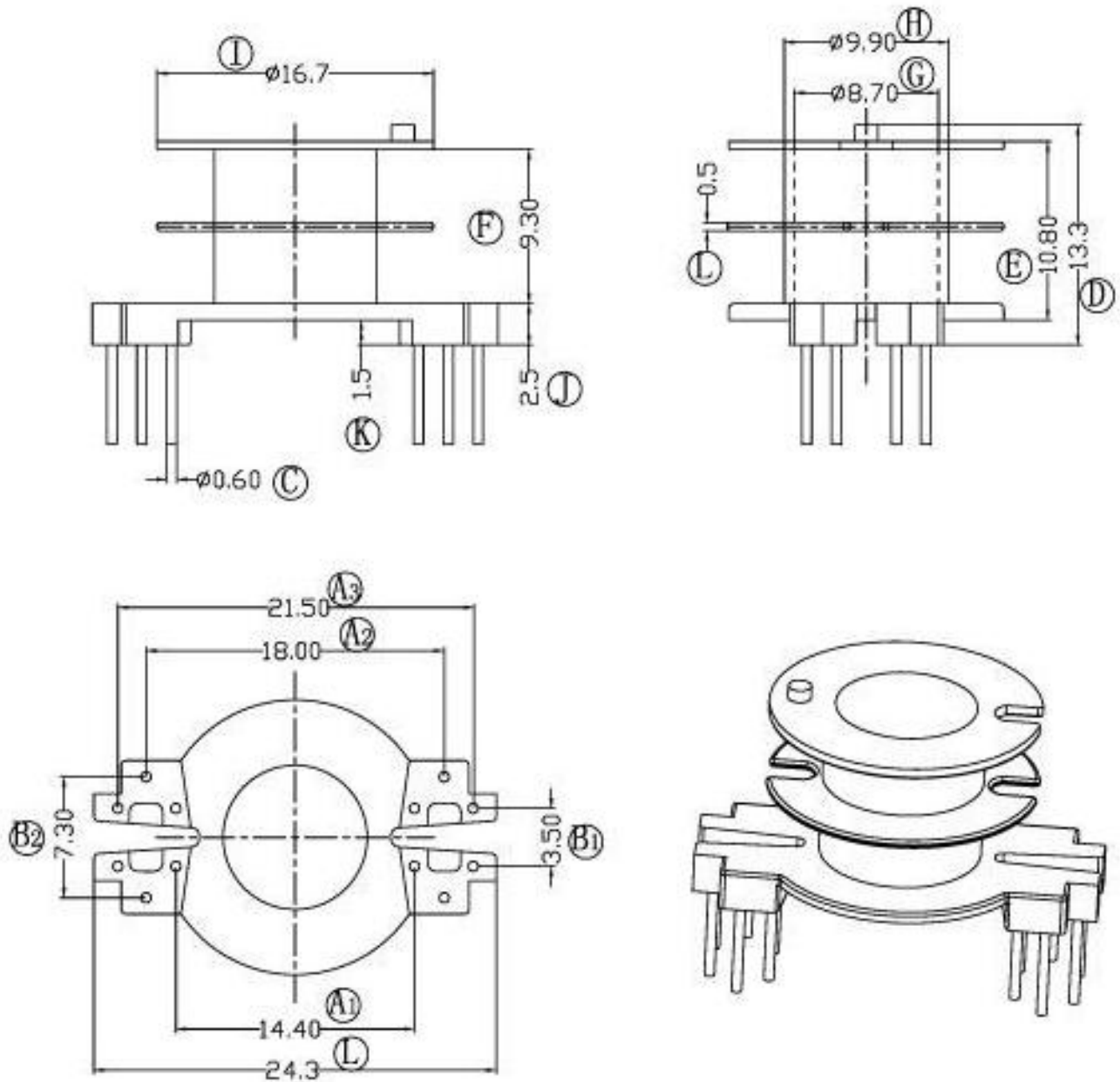


# RM-0801-1



<b>TOLERANCE</b>		<b>MODEL NAME: RM8-12P-2S</b>	
X. X	± 0.3	<b>BOBBIN MATERIAL: PHENOLIC</b>	
X. XX	± 0.2	<b>SCALE: 2:1</b>	<b>SCALE: UL 94V-0</b>
壁厚:	± 0.15	<b>SCALE: M/M</b>	
PINPITCH	± 0.2		