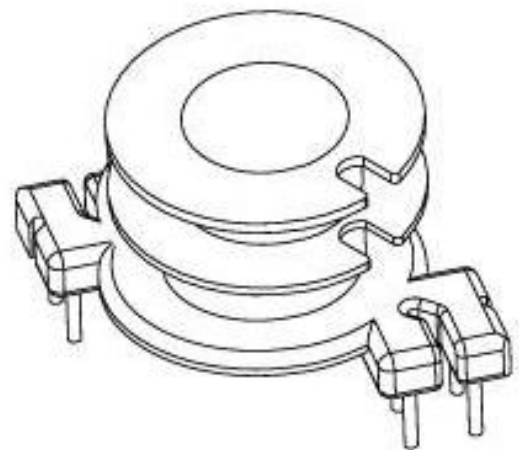
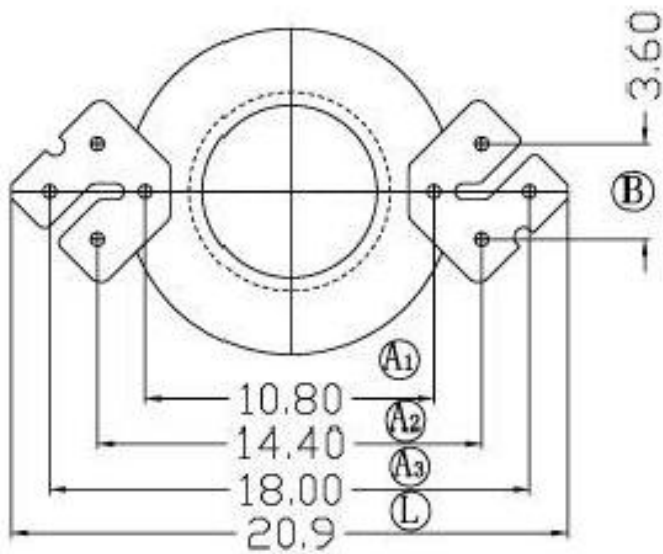
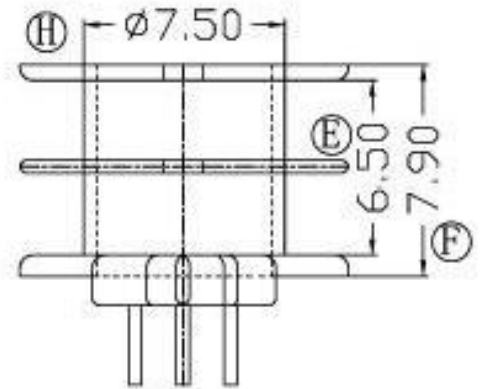
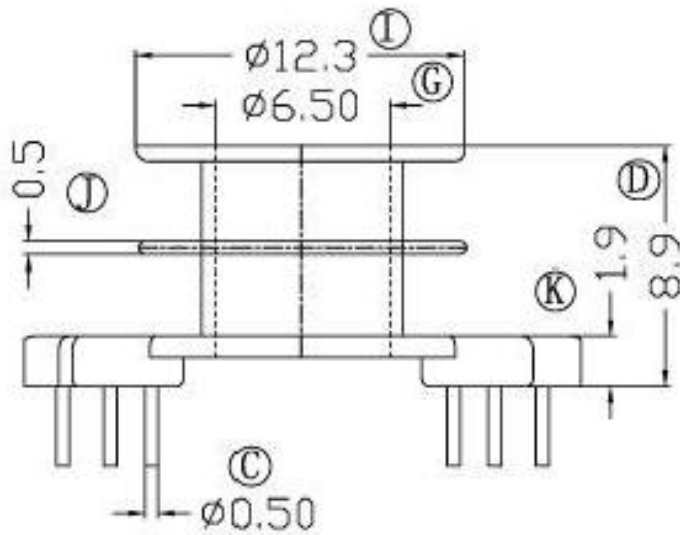


RM-0602-1



TOLERANCE		MODEL NAME: RM6-8P-2S	
X. X	± 0.3	BOBBIN MATERIAL: PHENOLIC	
X. XX	± 0.2	SCALE: 5:1	SCALE: UL 94V-0
壁厚:	± 0.15	$\textcircled{\text{H}}$	SCALE: M/M
PINPITCH	± 0.2		