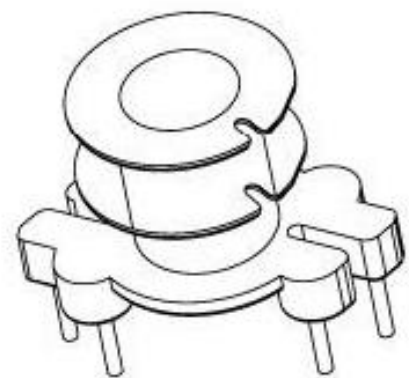
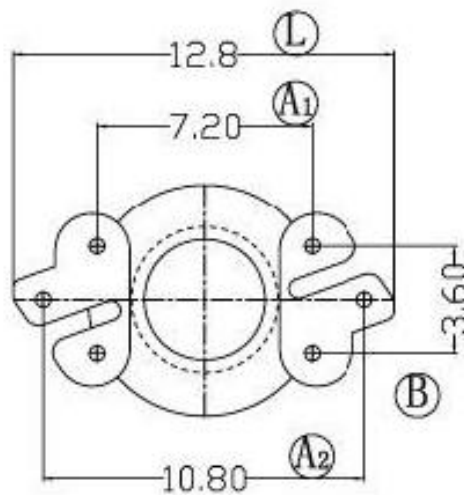
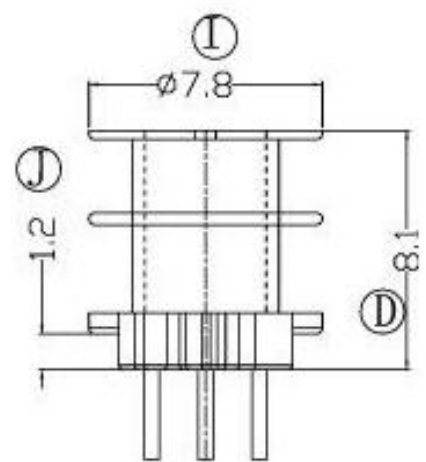
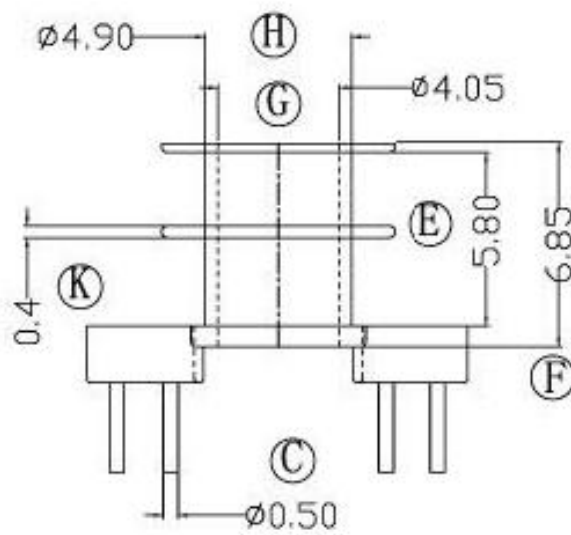


# RM-0401-1



TOLERANCE		MODEL NAME: RM4-6P-1S	
X, X	$\pm 0.3$	BOBBIN MATERIAL: PHENOLIC	
X, XX	$\pm 0.2$	SCALE: 5:1	SCALE: UL 94V-0
壁厚:	$\pm 0.15$		
FINPITCH	$\pm 0.2$		