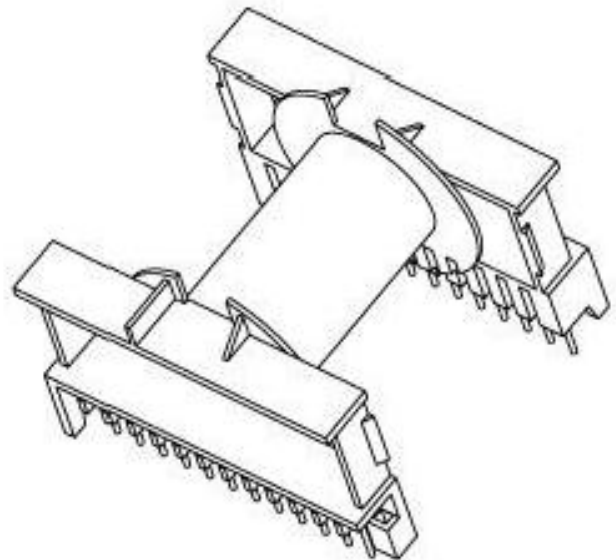
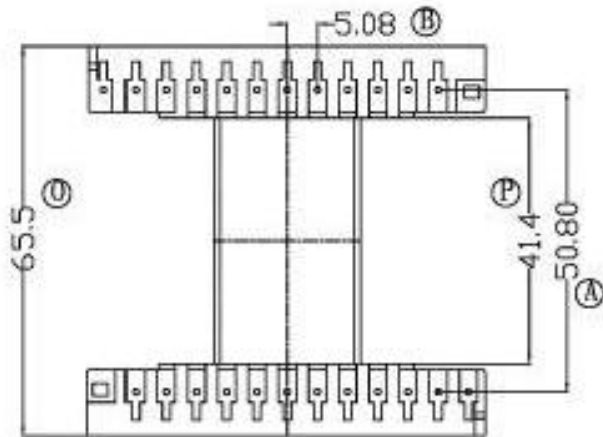
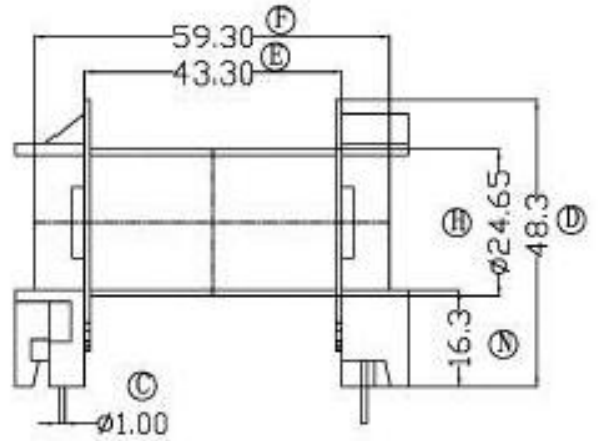
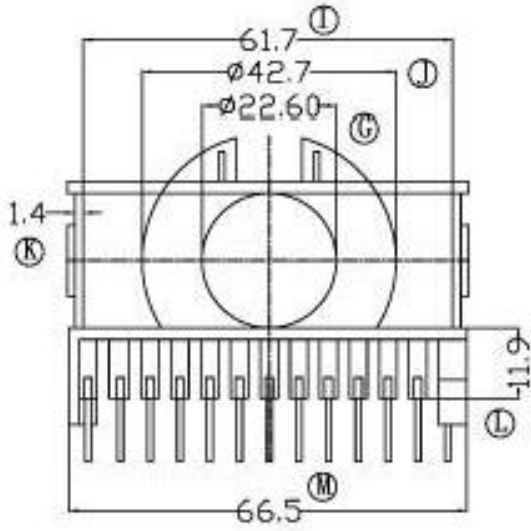
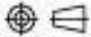


# ETD-5901



TOLERANCE		MODEL NAME: ETD-59-24P	
X, X	$\pm 0.3$	BOBBIN MATERIAL: PET	
X, XX	$\pm 0.2$	SCALE: 1:1	SCALE: UL 94V-0
壁厚:	$\pm 0.15$		SCALE: M/M
PINPITCH	$\pm 0.2$		