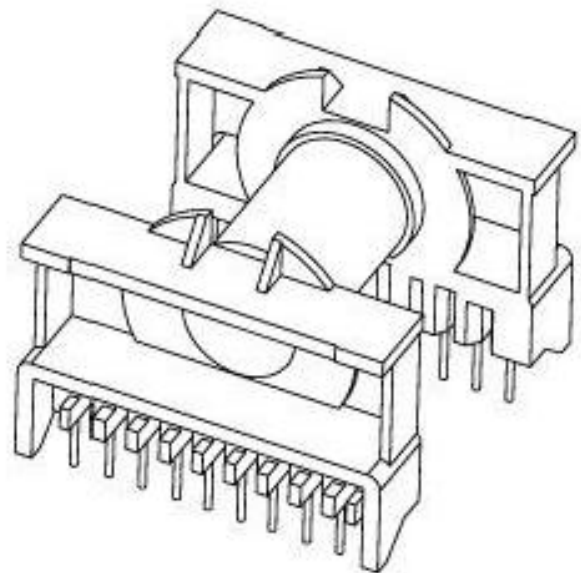
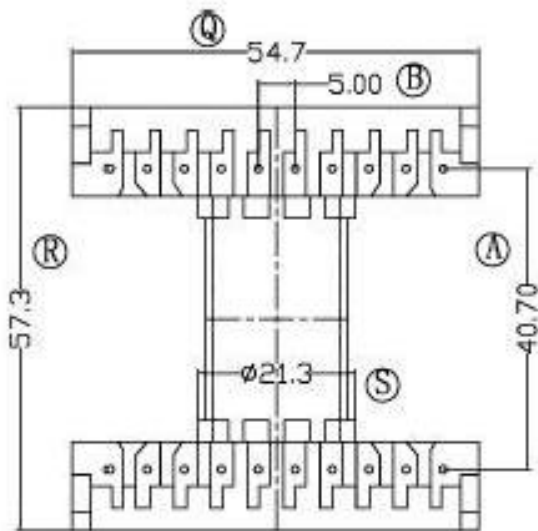
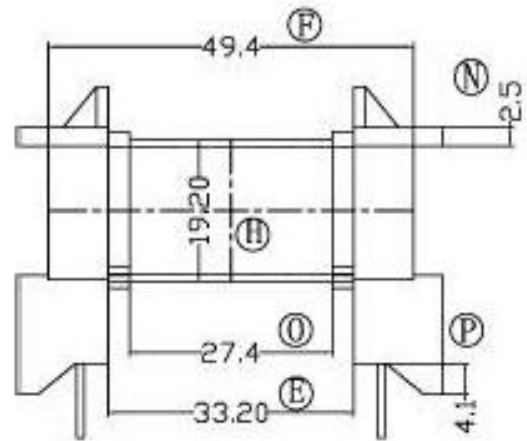
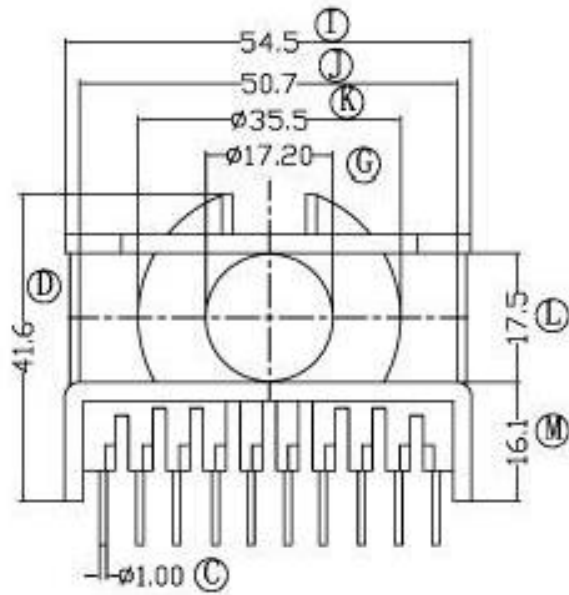


# ETD-4902



TOLERANCE		MODEL NAME: ETD49-20P	
X. X	$\pm 0.3$	BOBBIN MATERIAL: PHENOLIC	
X. XX	$\pm 0.2$	SCALE: 1:1	SCALE: UL 94V-0
壁厚:	$\pm 0.15$		SCALE: M/M
PINPITCH	$\pm 0.2$		