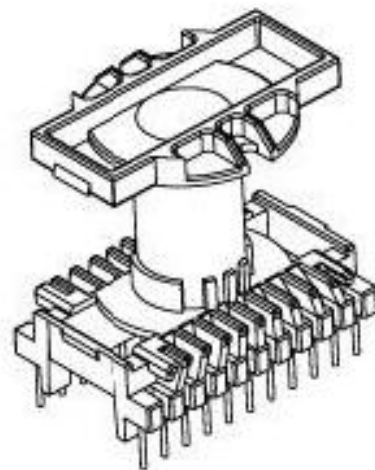
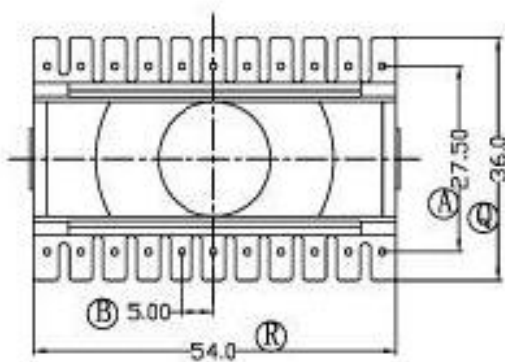
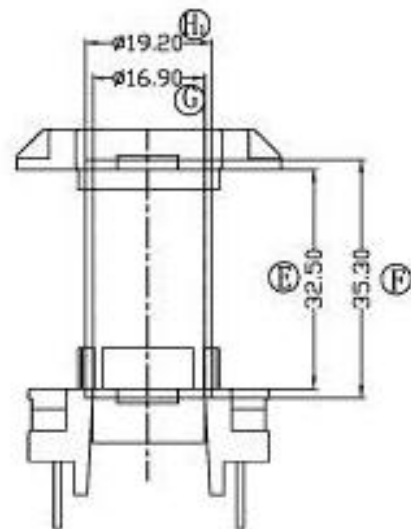
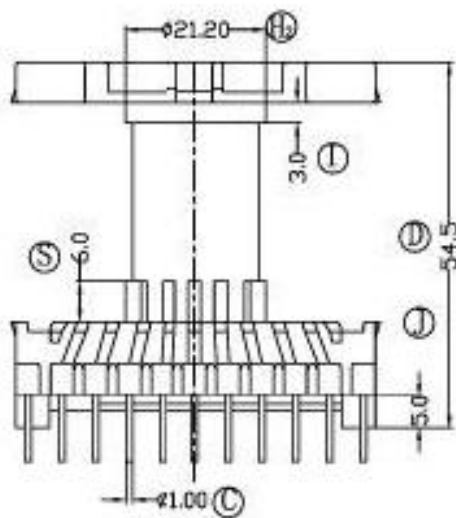
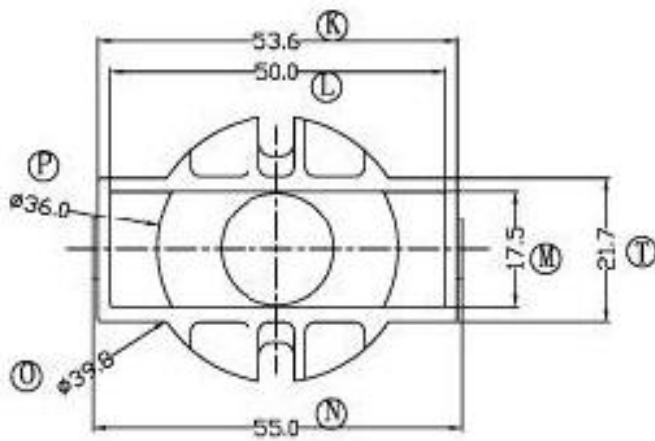


ETD-4901-1



TOLERANCE		MODEL NAME: 立式ETD49-22P	
		BOBBIN MATERIAL: PHENOLIC	
X. X	± 0.3	SCALE: 1:1	SCALE: UL 94V-0
X. XX	± 0.2		SCALE: M/M
壁厚:	± 0.15		
PINPITCH	± 0.2		