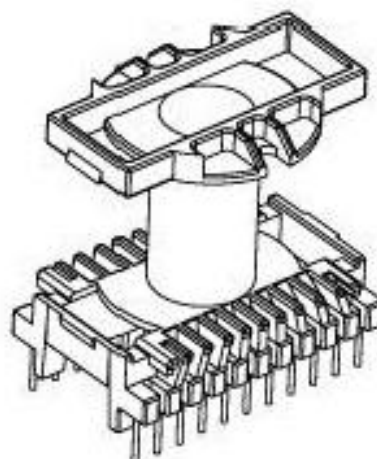
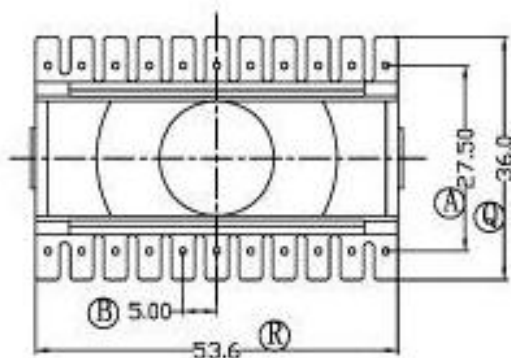
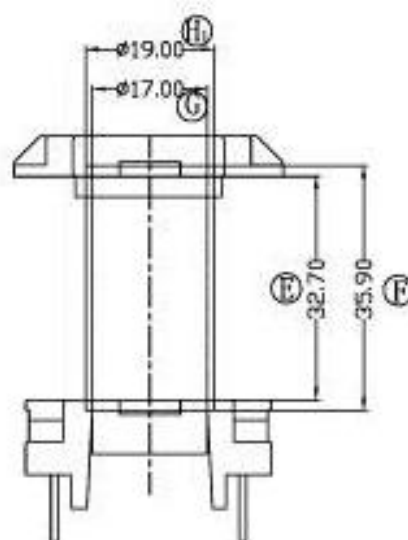
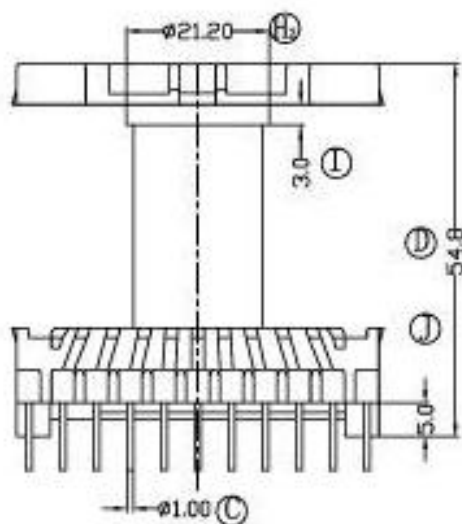
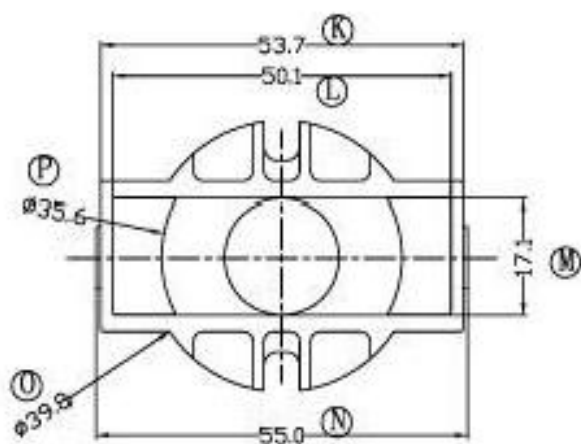


ETD-4901



TOLERANCE		MODEL NAME: 立式ETD49-22P	
X. X	± 0.3	BOBBIN MATERIAL: PHENOLIC	
X. XX	± 0.2	SCALE: 1:1	SCALE: UL 94V-0
壁厚:	± 0.15		
PINPITCH	± 0.2		