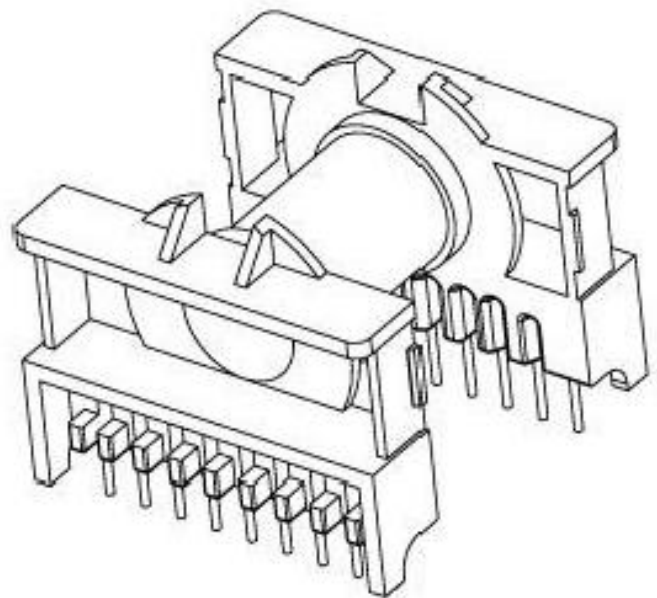
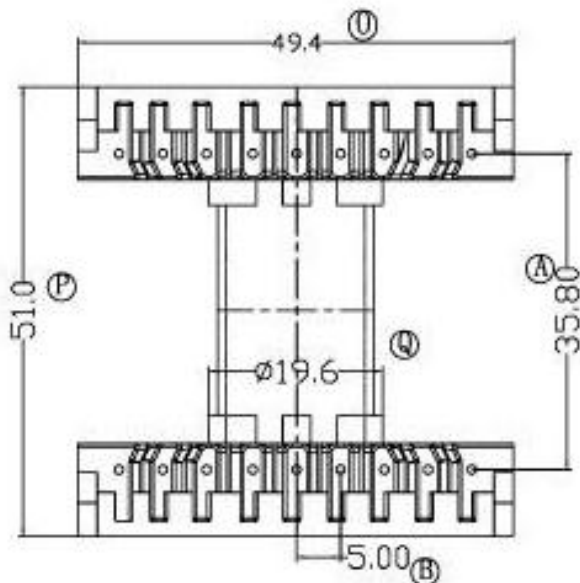
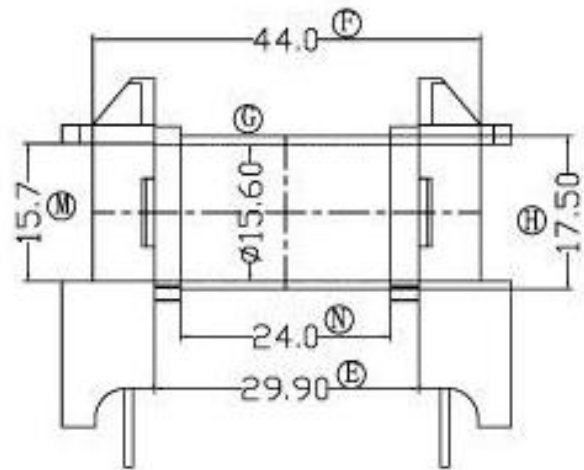
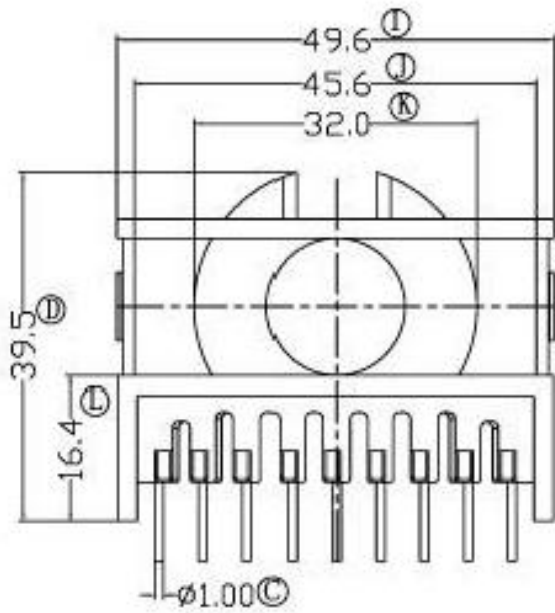



# ETD-4401



<b>TOLERANCE</b>		<b>MODEL NAME: ETD44-18P</b>	
X, X	± 0.3	<b>BOBBIN MATERIAL: PHENOLIC</b>	
X, XX	± 0.2	<b>SCALE: 1:1</b>	<b>SCALE: UL 94V-0</b>
壁厚:	± 0.15	 <b>SCALE: M/M</b>	
PINPITCH	± 0.2		