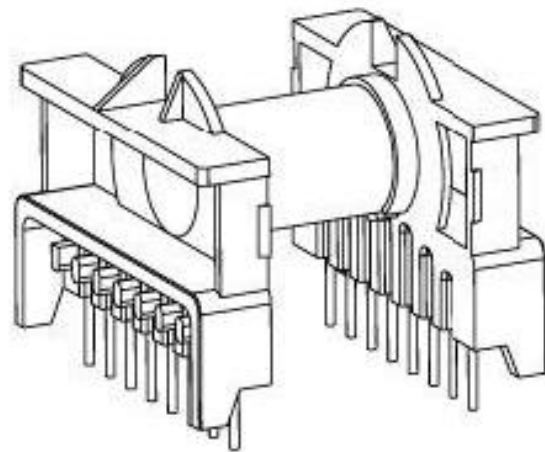
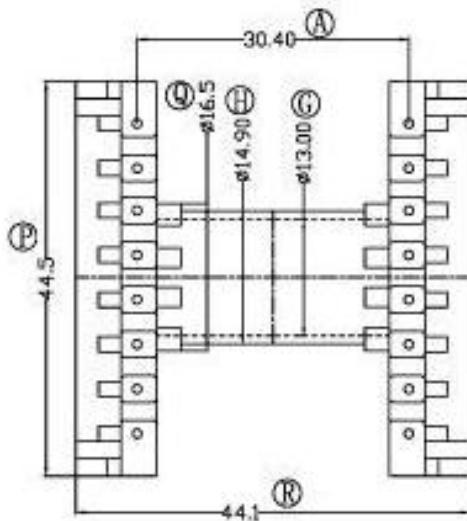
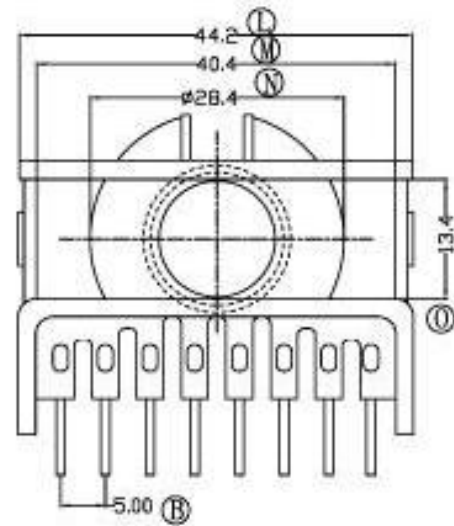
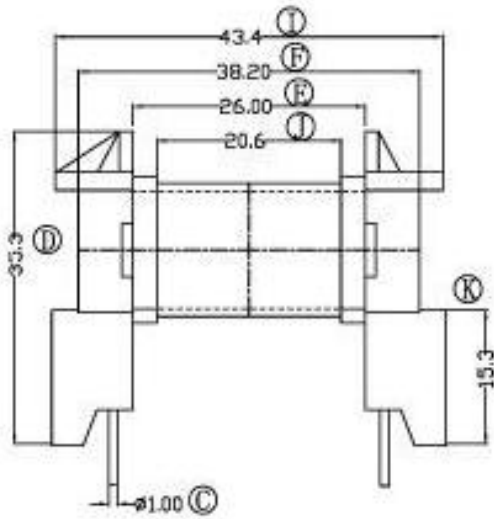


ETD-3901



TOLERANCE		MODEL NAME: 卧式ETD39-16P	
X, X	± 0.3	BOBBIN MATERIAL: PHENOLIC	
X, XX	± 0.2	SCALE: 2:1	SCALE: UL 94V-0
壁厚:	± 0.15		SCALE: M/M
PINPITCH	± 0.2		