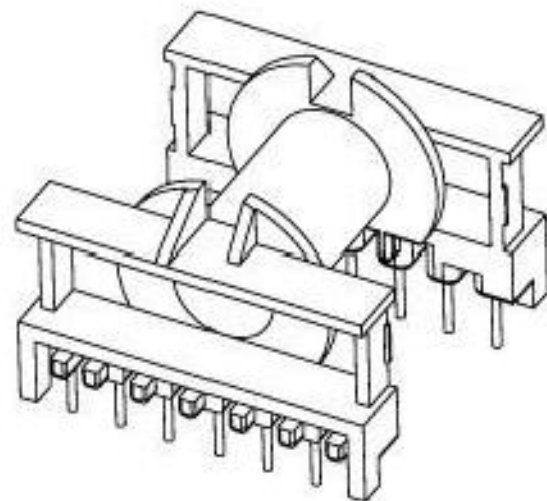
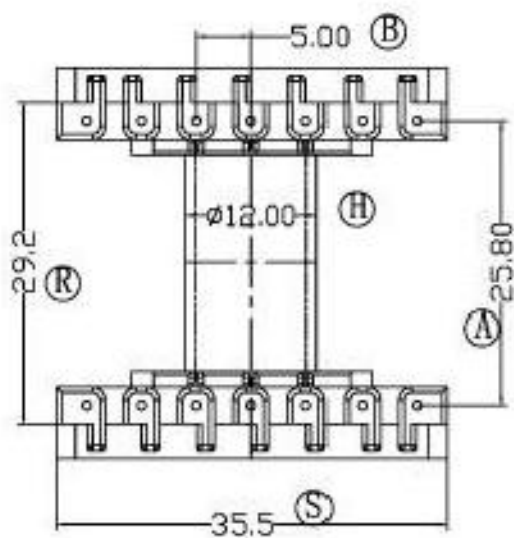
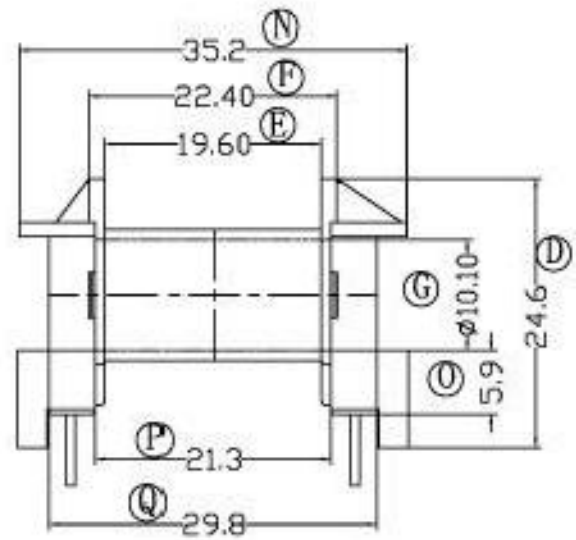
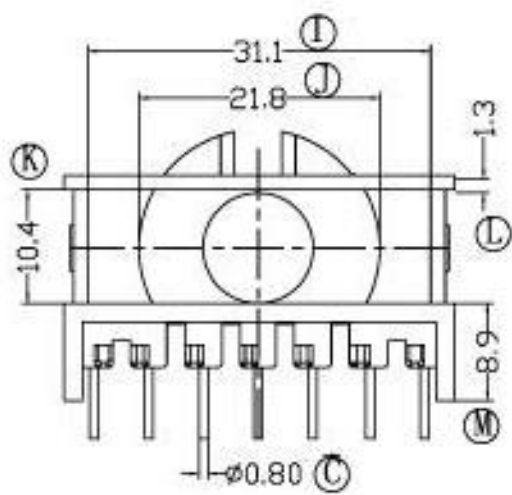
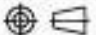


ETD-2901



TOLERANCE		MODEL NAME: ETD29-14P	
X, X	± 0.3	BOBBIN MATERIAL: PHENOLIC	
X, XX	± 0.2	SCALE: 1.5:1	SCALE: UL 94V-0
壁厚:	± 0.15	 SCALE: M/M	
PINPITCH	± 0.2		