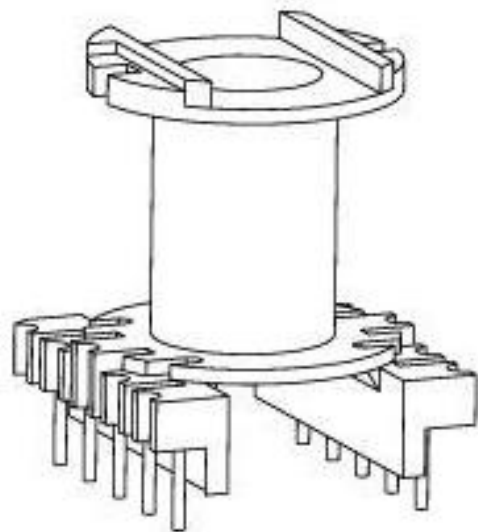
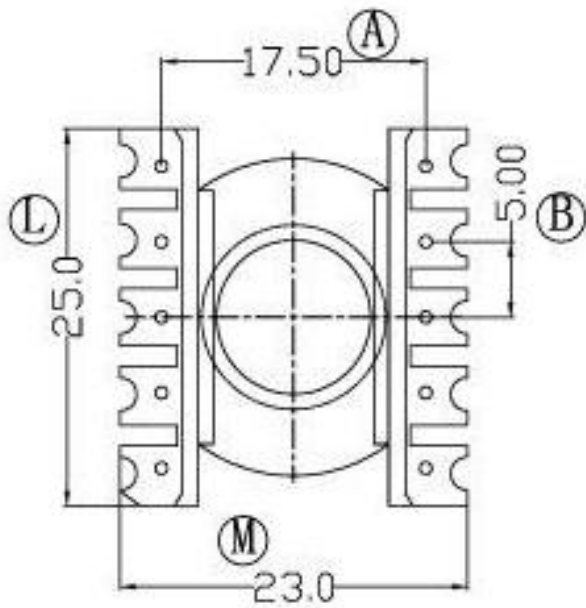
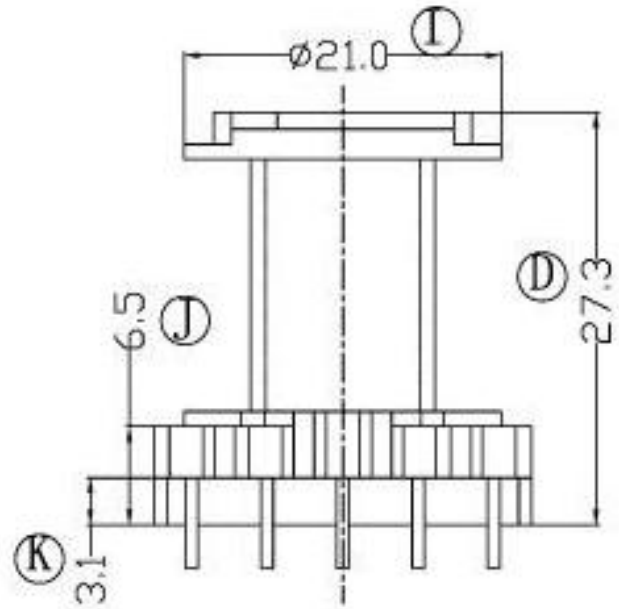
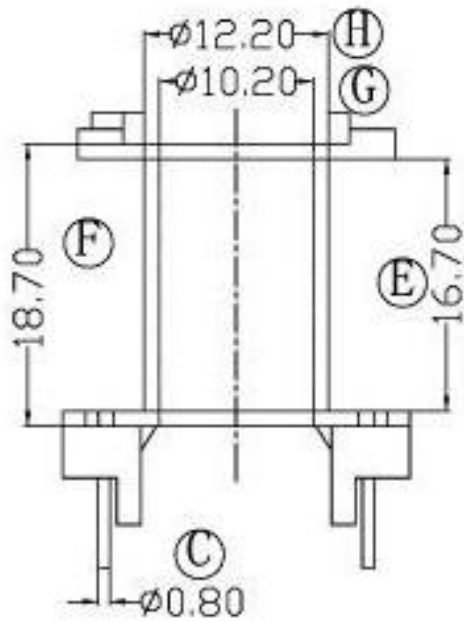



ER-2809



TOLERANCE		MODEL NAME: ER-2828 (5+5P)	
X. X	± 0.3	BOBBIN MATERIAL: PHENOLIC	
X. XX	± 0.2	SCALE: 2:1	SCALE: UL 94V-0
壁厚:	± 0.15		
PINPITCH	± 0.2		