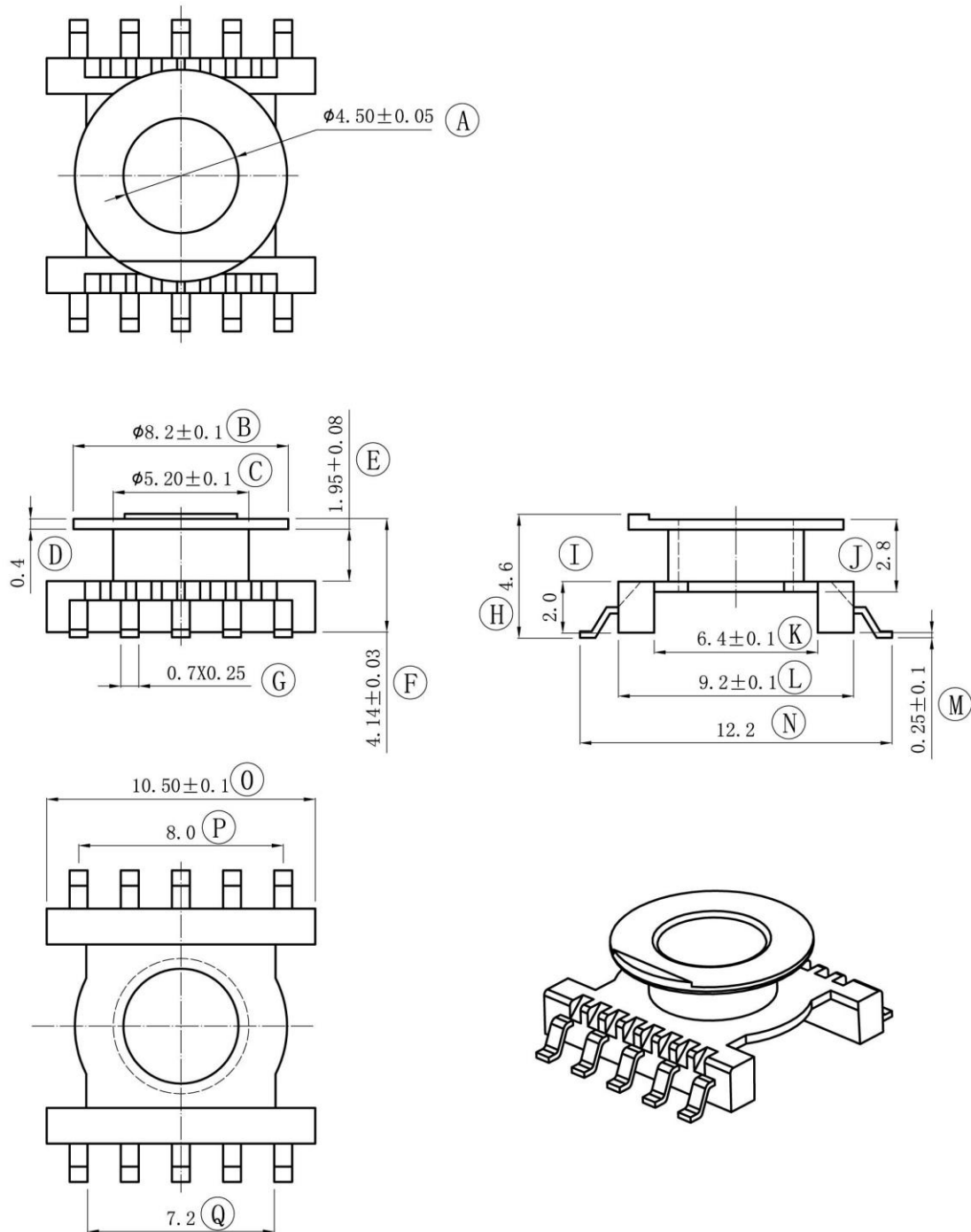


ER-11.5-1



|             |       |                                    |  |                     |           |
|-------------|-------|------------------------------------|--|---------------------|-----------|
| MODEL NAME: |       | ER-11.5 (10PIN)                    |  | TOLERANCE:          |           |
| UNIT:       | M/M   | BOBBIN MATERIAL:<br>L. C. P E-4008 |  | 0<L<4               | $\pm 0.1$ |
| SCALE:      | 3/1   | PIN MATERIAL:<br>PHOSPHOR BRONZE   |  | 4<L<16              | $\pm 0.2$ |
| UL REC:     | 94V-0 | PIN TENSION LOAD:                  |  | 16<L<50             | +0.3      |
| DATE:       |       | DRAWING NO:                        |  | PIN PITCG $\pm 0.2$ |           |
|             |       |                                    |  | 1.0KG MIN           |           |
|             |       |                                    |  | AS-11.5-1           |           |