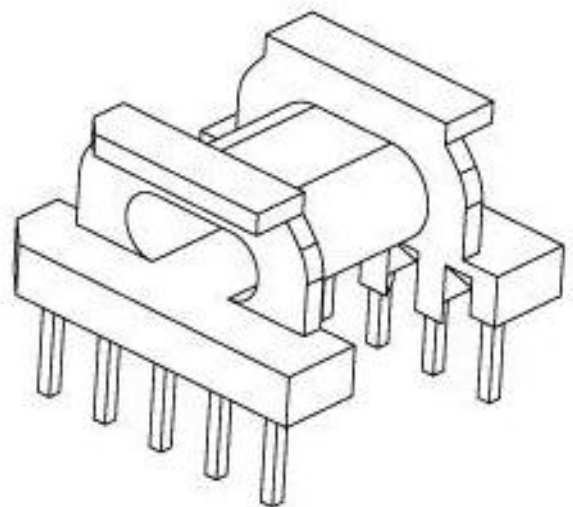
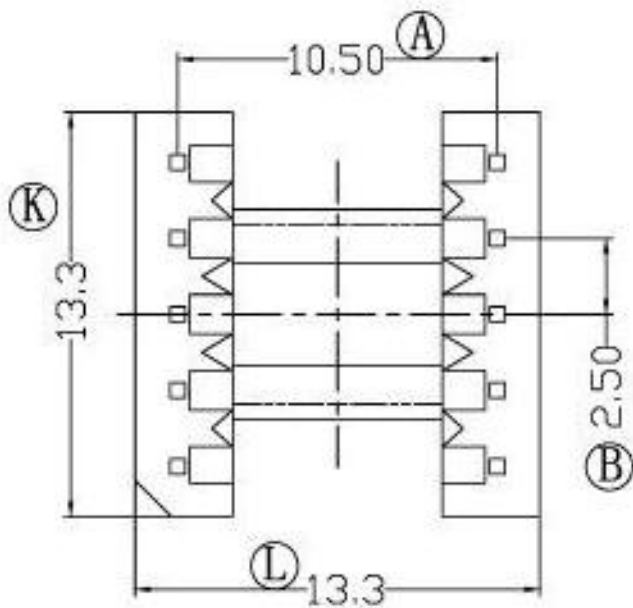
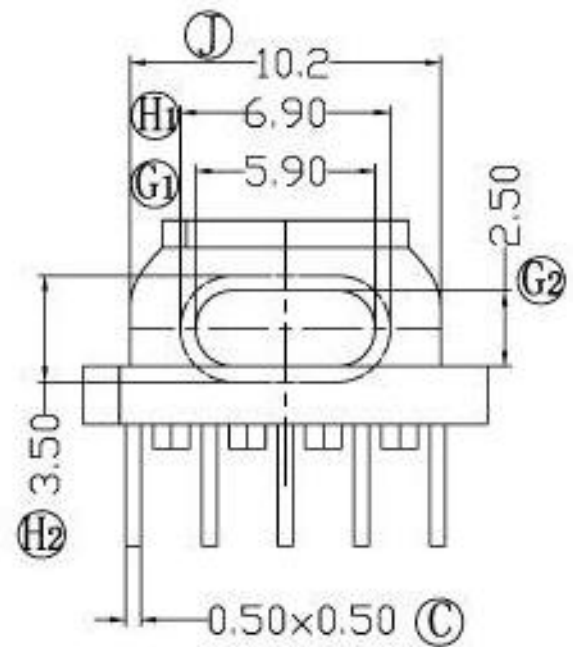
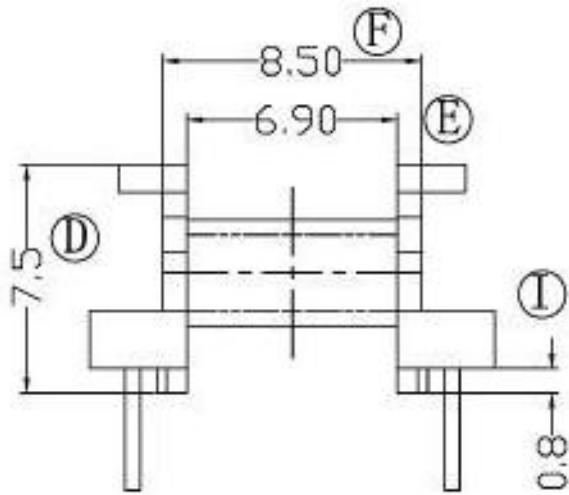


EPC-1301



TOLERANCE		MODEL NAME: EPC13-10P-1S	
X, X	± 0.3	BOBBIN MATERIAL: PHENOLIC	
X, XX	± 0.2	SCALE: 4:1	SCALE: UL 94V-0
壁厚:	± 0.15		SCALE: M/M
PIN PITCH	± 0.2		