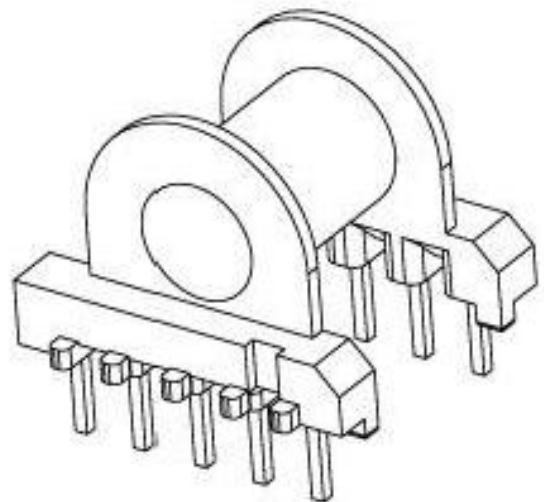
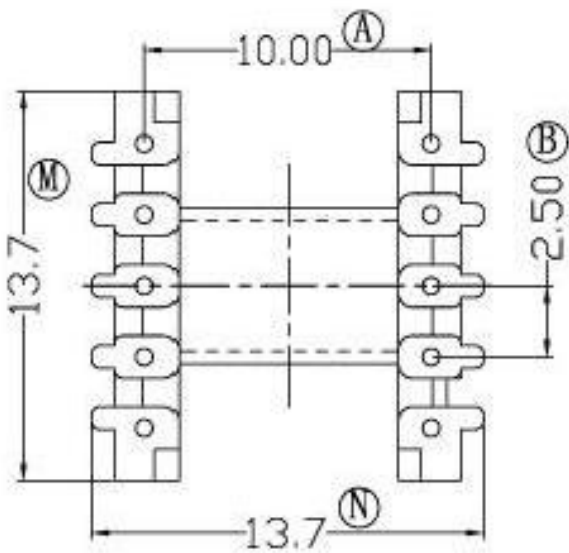
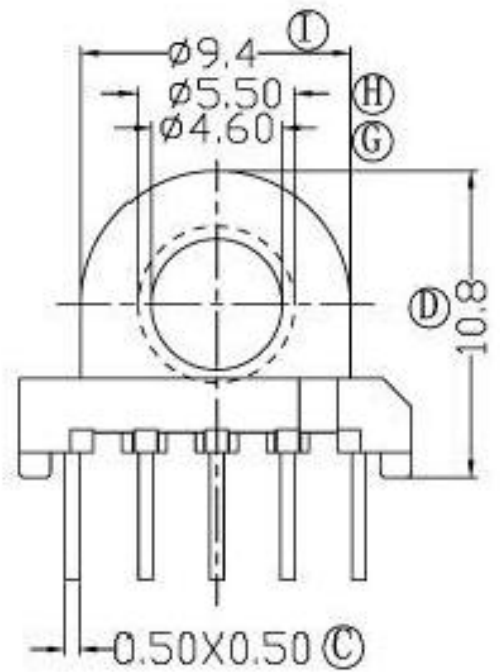
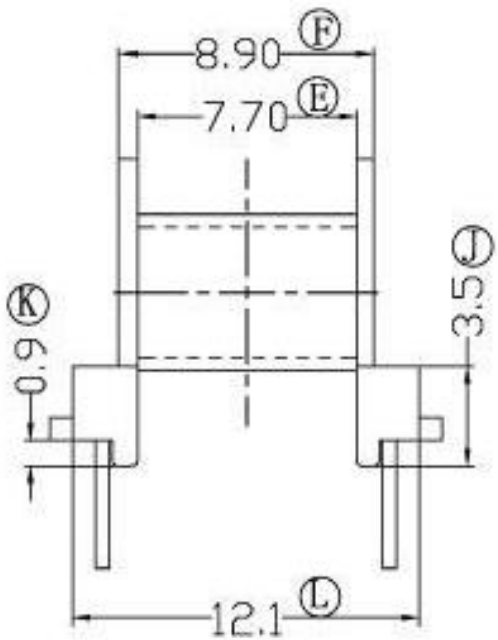


# EP-1302



|                  |        |                                  |                        |
|------------------|--------|----------------------------------|------------------------|
| <b>TOLERANCE</b> |        | <b>MODEL NAME:</b> EP13-10P-1S   |                        |
| X. X             | ± 0.3  | <b>BOBBIN MATERIAL:</b> PHENOLIC |                        |
| X. XX            | ± 0.2  | <b>SCALE:</b> 2:1                | <b>SCALE:</b> UL 94V-0 |
| 壁厚:              | ± 0.15 |                                  | <b>SCALE:</b> M/M      |
| PINPITCH         | ± 0.2  |                                  |                        |