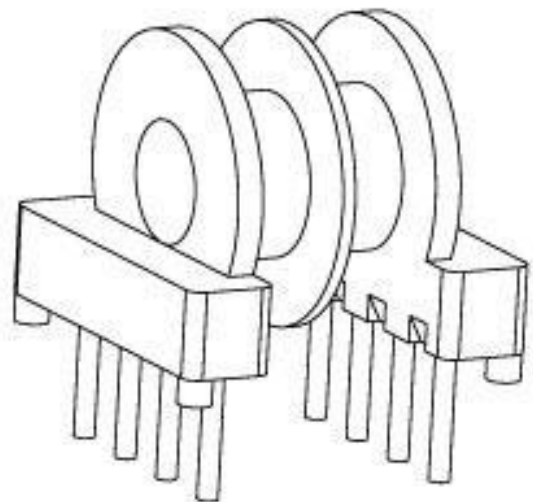
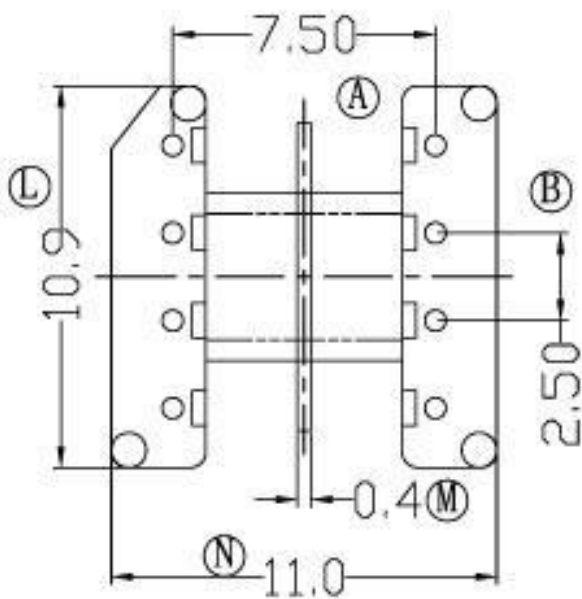
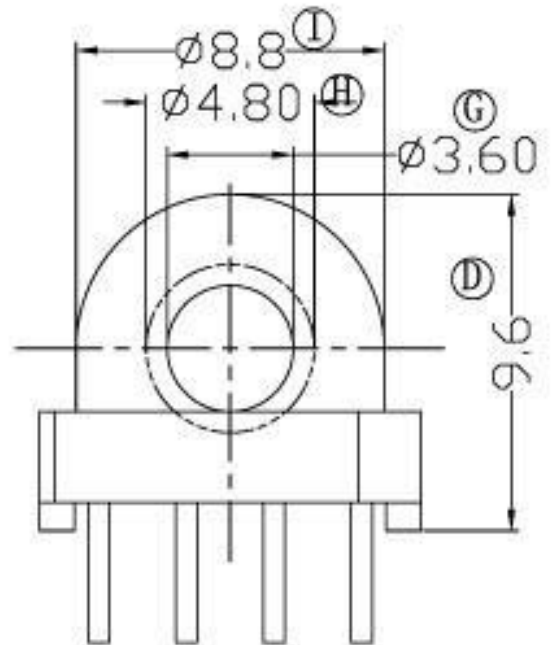
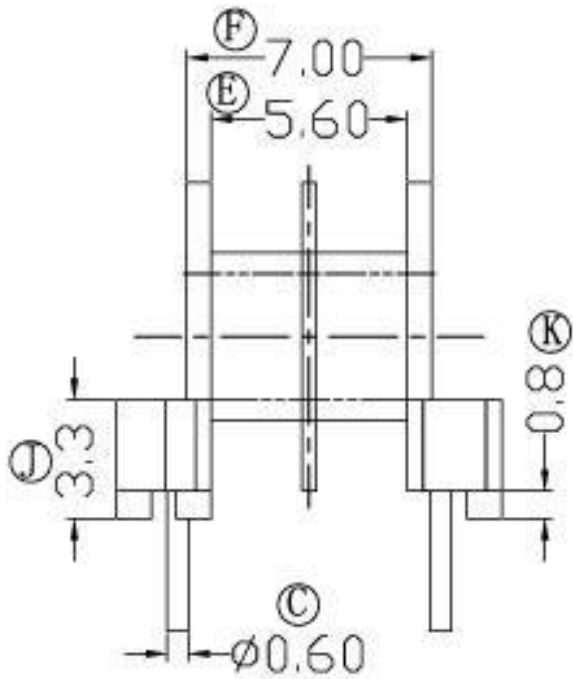


EP-1001-1



TOLERANCE		MODEL NAME: EP10-8P-2S	
X, X	± 0.3	BOBBIN MATERIAL: PHENOLIC	
X, XX	± 0.2	SCALE: 2:1	SCALE: UL 94V-0
壁厚:	± 0.15	SCALE: M/M	
PINPITCH	± 0.2		