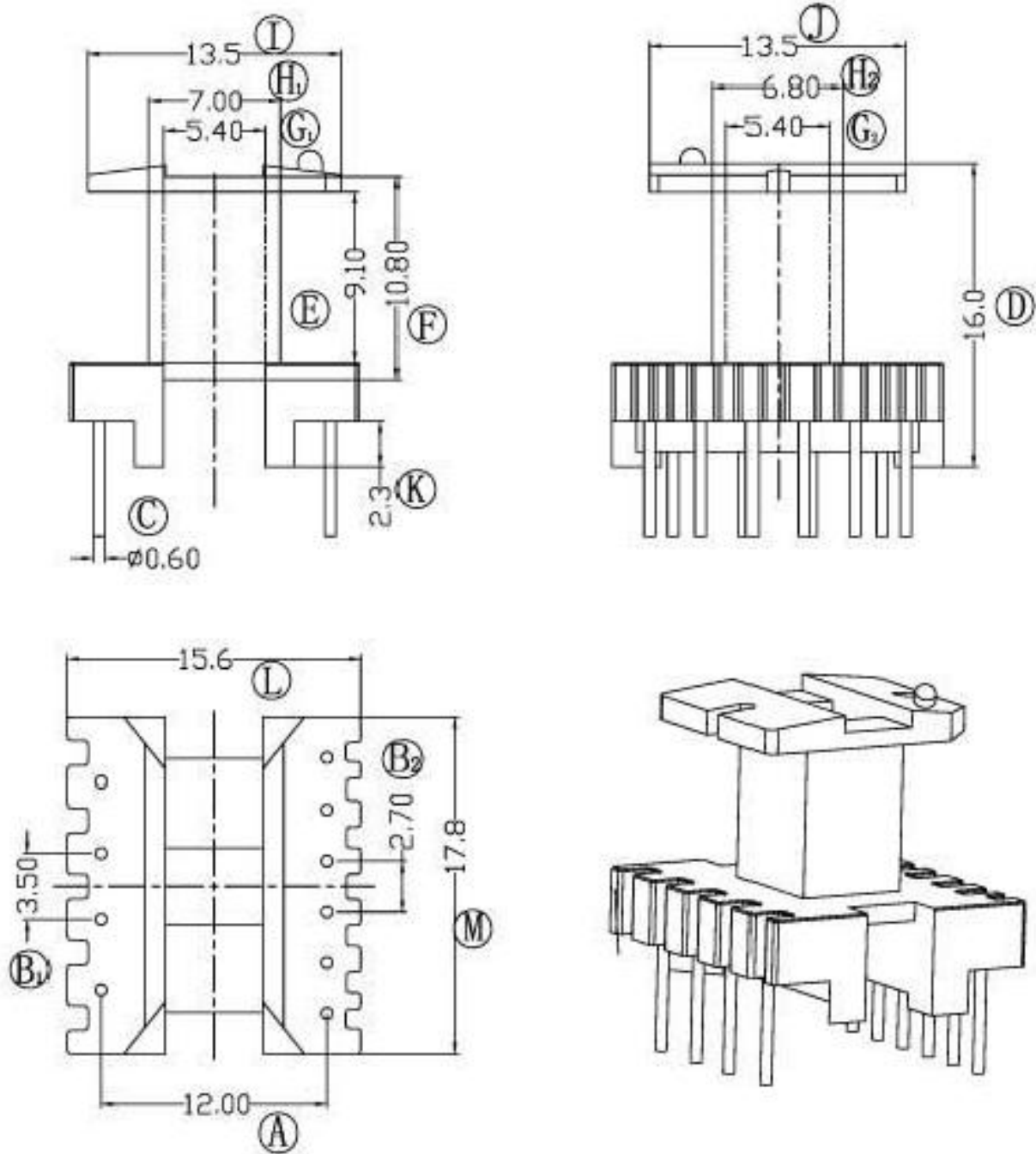
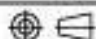


EI-1616



TOLERANCE		MODEL NAME: EI-16 (4+6P)	
X. X	± 0.3	BOBBIN MATERIAL: PHENOLIC	
X. XX	± 0.2	SCALE: 2:1	SCALE: UL 94V-0
壁厚:	± 0.15	 SCALE: M/M	
PINPITCH	± 0.2		