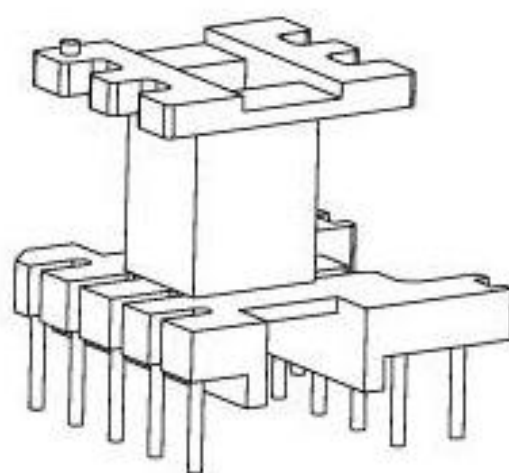
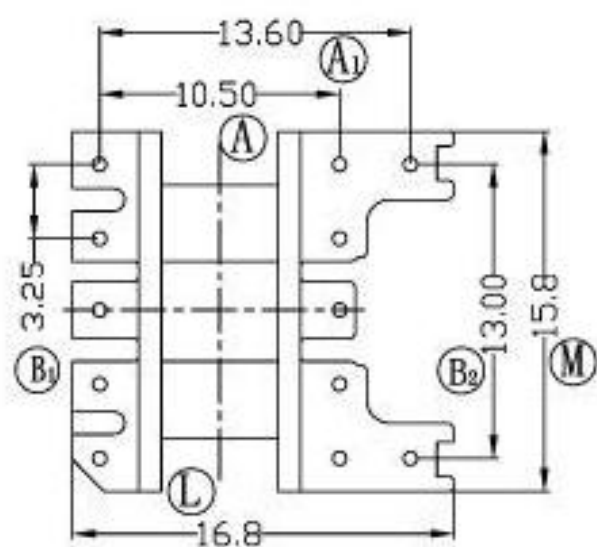
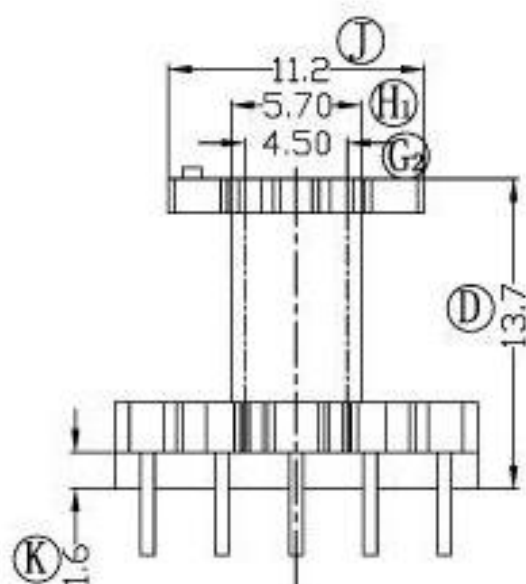
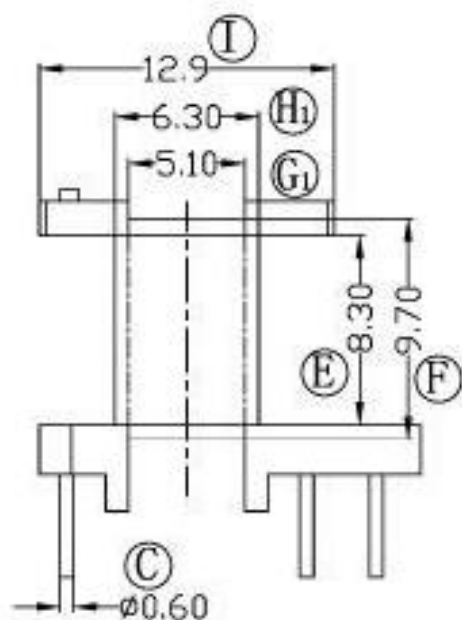


# EI-1604-2



<b>TOLERANCE</b>		<b>MODEL NAME:</b> EI-16 (5+5+2P)	
X. X	± 0.3	<b>BOBBIN MATERIAL:</b> PHENOLIC	
X. XX	± 0.2	<b>SCALE:</b> 2:1	<b>SCALE:</b> UL 94V-0
壁厚:	± 0.15		<b>SCALE:</b> M/M
PINPITCH	± 0.2		