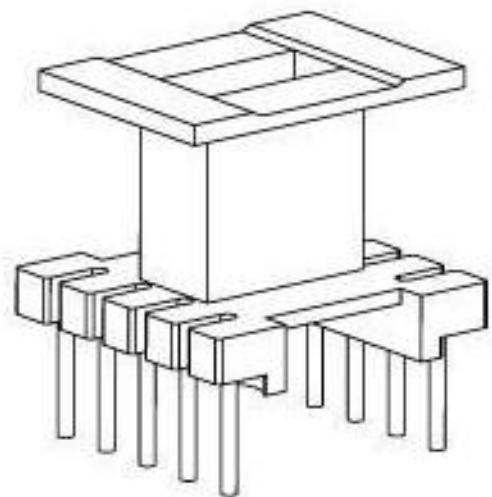
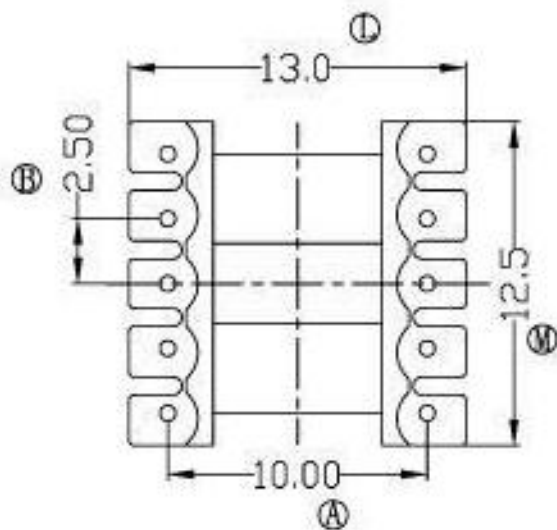
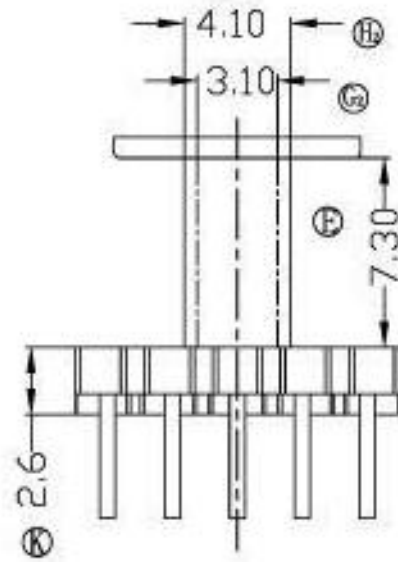
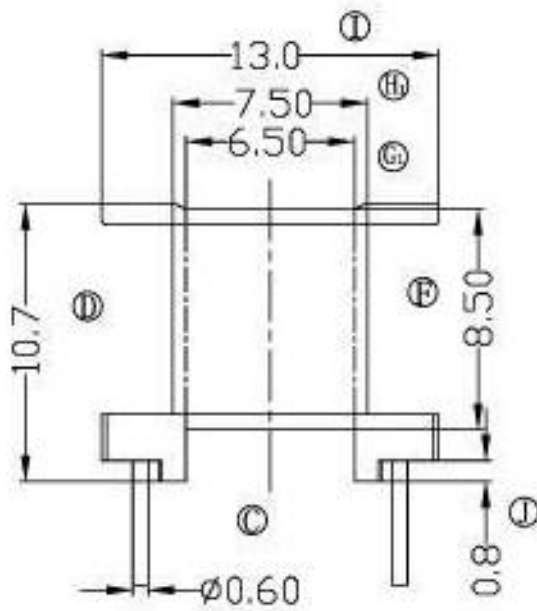


EI-1301



TOLERANCE		MODEL NAME: EI13-10-1S	
X. X	± 0.3	BOBBIN MATERIAL: PHENOLIC	
X. XX	± 0.2	SCALE: 2:1	SCALE: UL 94V-0
壁厚:	± 0.15		
PINPITCH	± 0.2		