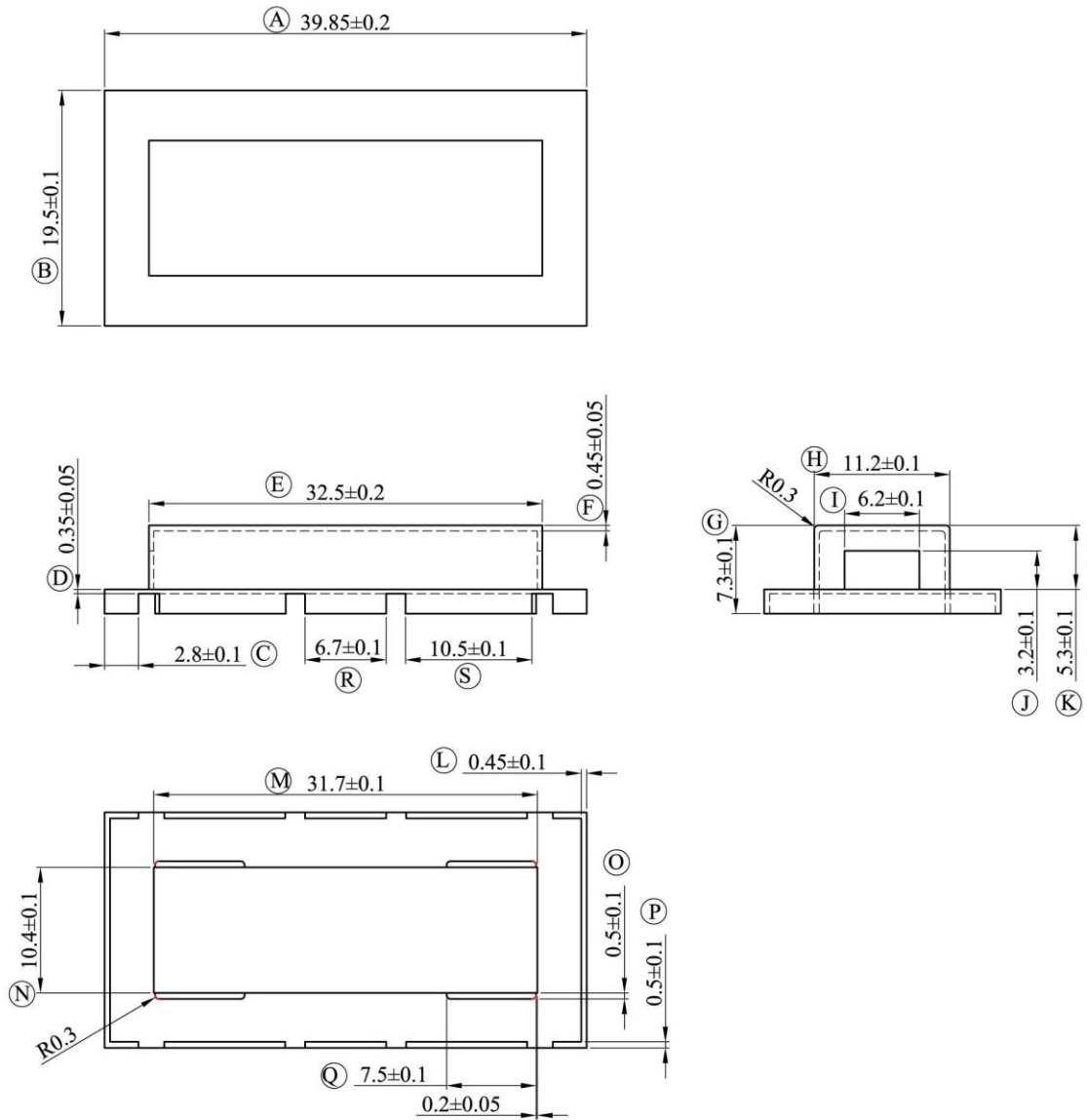


EFD-1606-1



MODEL NAME:		EFD-16 COVER		TOLERANCE:
UNIT:	M/M	BOBBIN MATERIAL: L. C. P E 4008		未标注公差 均为 ± 0.1 mm
SCALE:	2/1	PIN MATERIAL:		
UL REC:	94V-0	PIN TENSION LOAD:		
DATE:		DRAWING NO:	AS-1606-1	