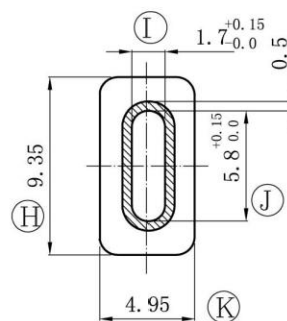
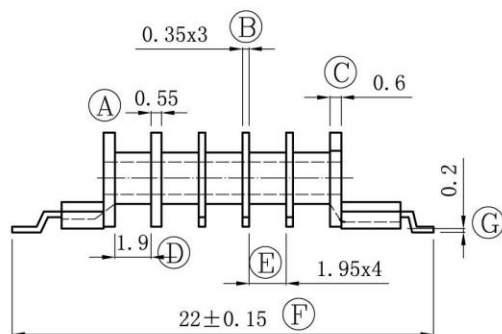
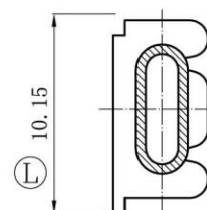
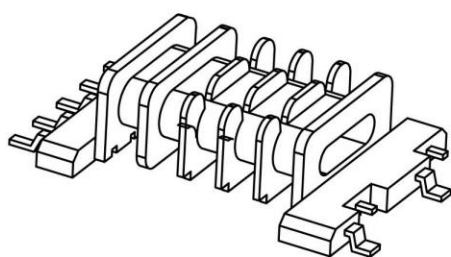
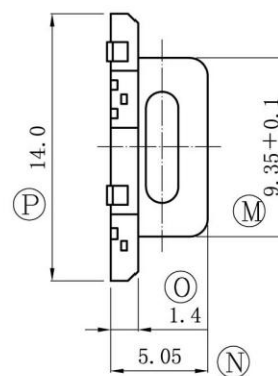
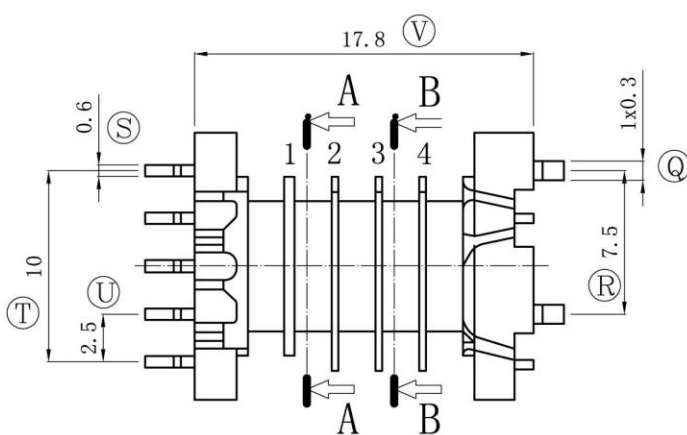


EFD-1402



SEC A-A(叶片1)



SEC B-B(叶片2.3.4)

MODEL NAME:	EFD-13.8 5SEC 7PIN		TOLERANCE:
UNIT:	M/M	BOBBIN MATERIAL: L. C. P E 4008	0<L<4 ±0.1 4<L<16 ±0.2 16<L<50 +0.3
SCALE:	3/1	PIN MATERIAL: PHOSPHOR BRONZE	PIN PITCG ±0.2
UL REC:	94V-0	PIN TENSION LOAD:	1.0KG MIN
DATE:		DRAWING NO:	AS-1402