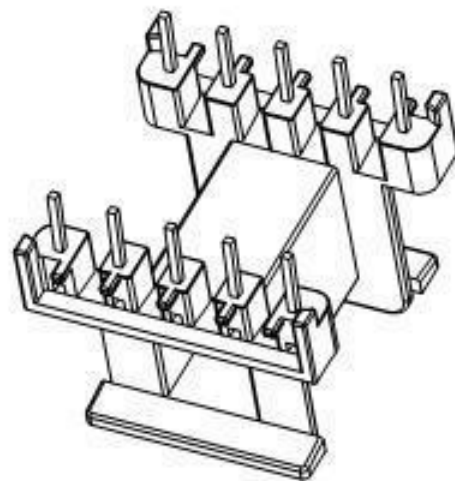
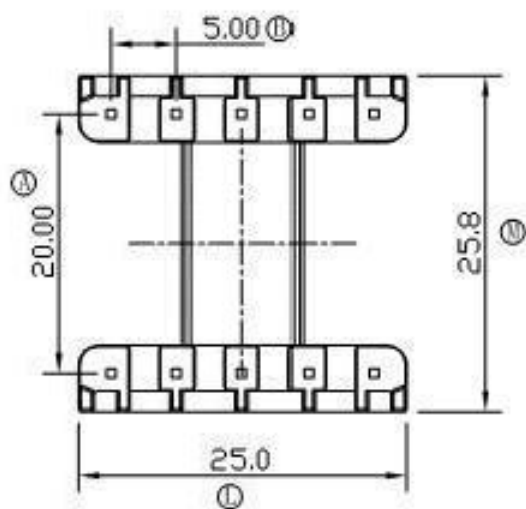
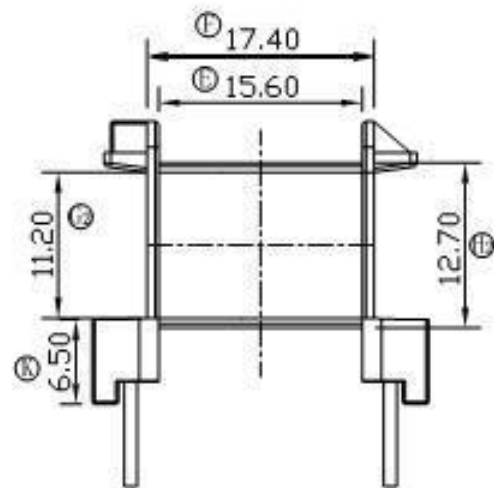
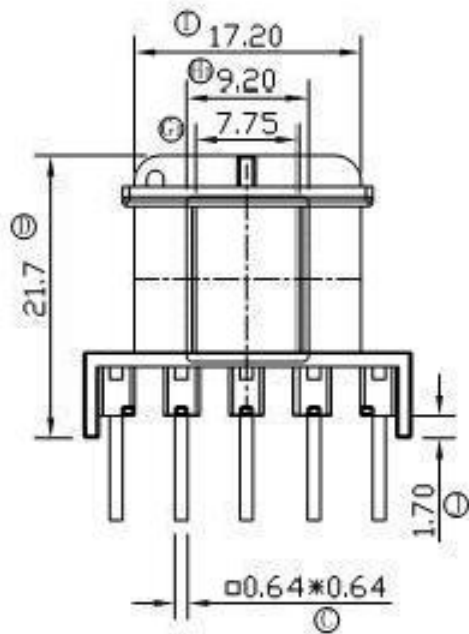


EF-2509



TOLERANCE		MODEL NAME: EF25-10P-1S	
X, X	± 0.3	BOBBIN MATERIAL: PET本色/NYLONG红色	
X, XX	± 0.2	SCALE: 2:1	SCALE: UL 94V-0
壁厚:	± 0.15		
PINPITCH	± 0.2		