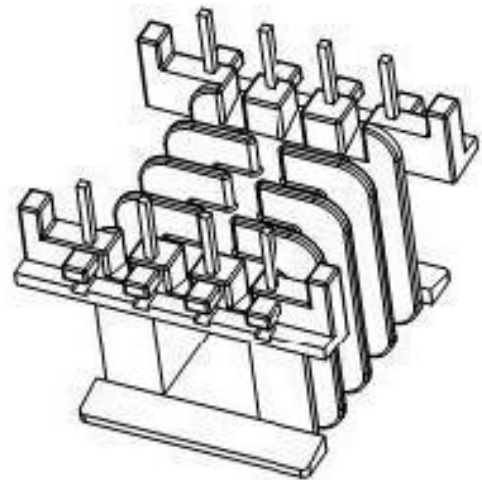
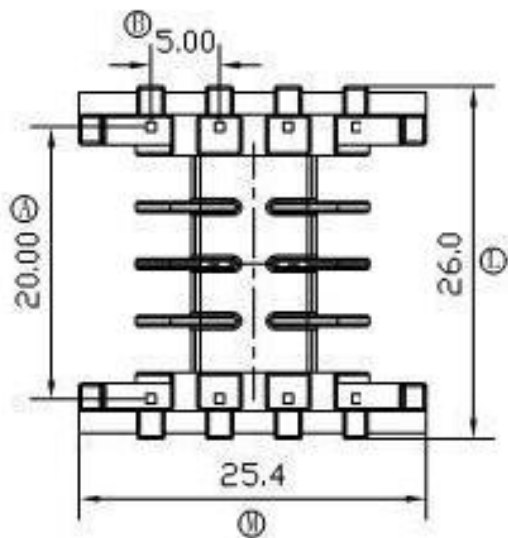
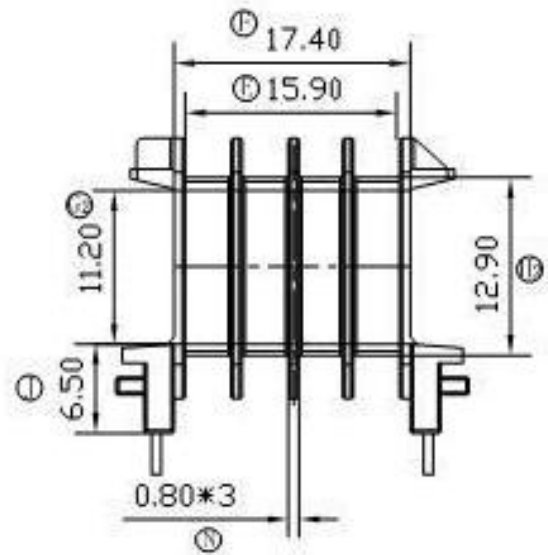
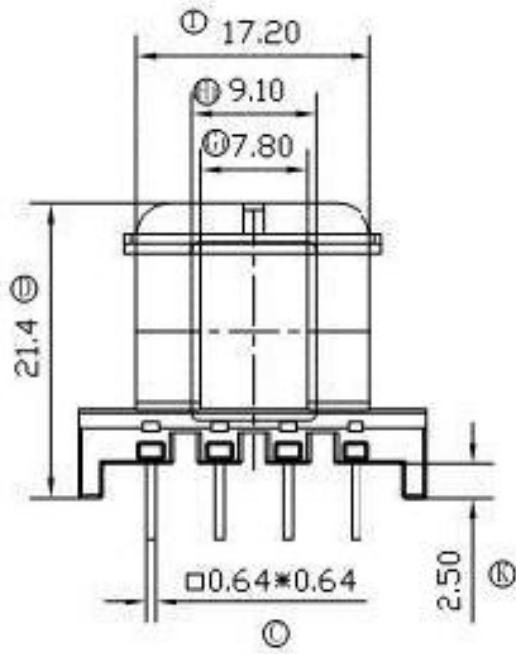
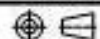


EF-2508-2



TOLERANCE		MODEL NAME: EF25-8P-4S	
X, X	± 0.3	BOBBIN MATERIAL: PET本色/NYLONG红色	
X, XX	± 0.2	SCALE: 2:1	SCALE: UL 94V-0
壁厚:	± 0.15	 SCALE: M/M	
PINPITCH	± 0.2		