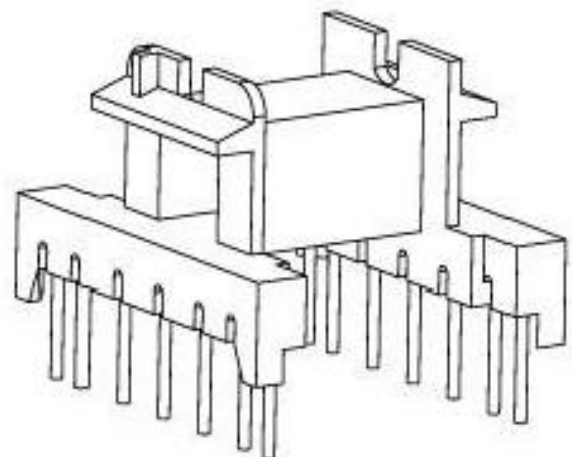
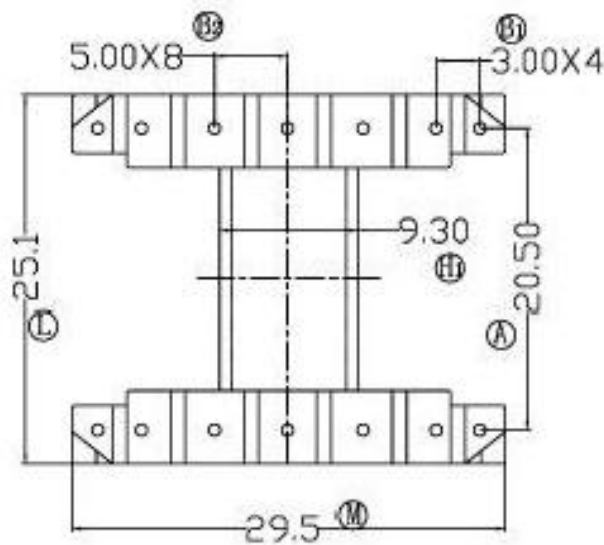
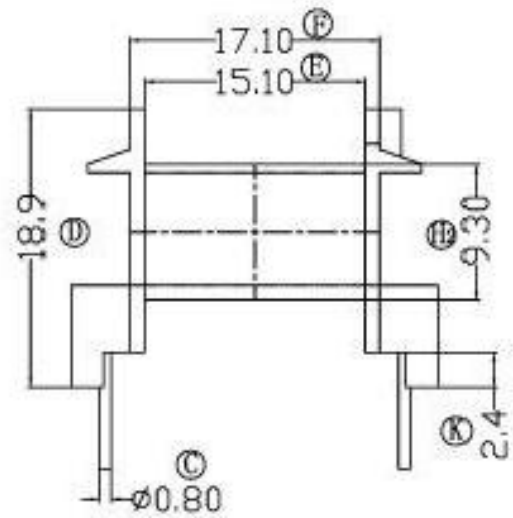
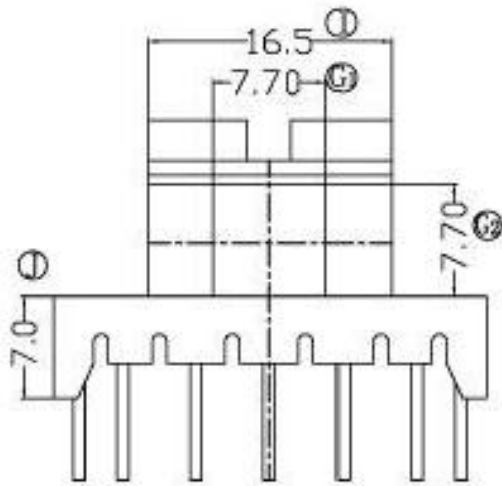


EF-2503



| | | | |
|-----------|--------|---------------------------|-----------------|
| TOLERANCE | | MODEL NAME: EF-25 (7+7P) | |
| X. X | ± 0.3 | BOBBIN MATERIAL: PHENOLIC | |
| X. XX | ± 0.2 | SCALE: 3:1 | SCALE: UL 94V-0 |
| 壁厚: | ± 0.15 | | SCALE: M/M |
| PINPITCH | ± 0.2 | | |