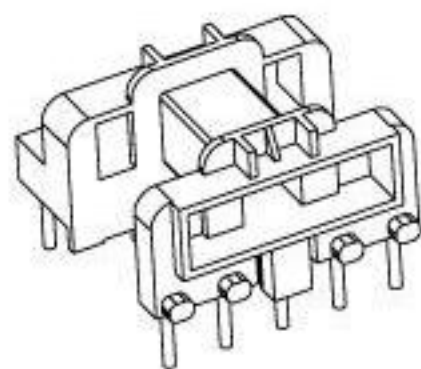
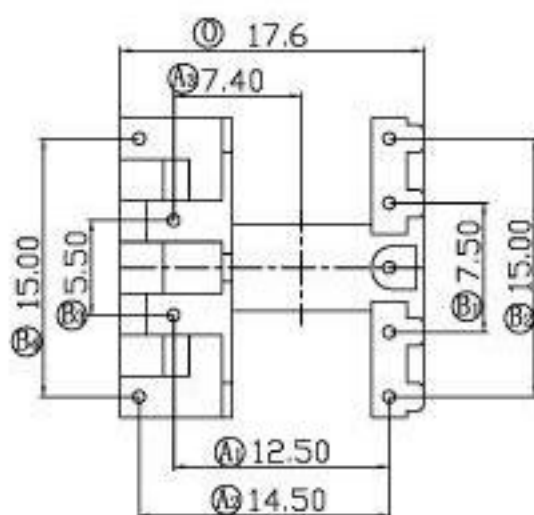
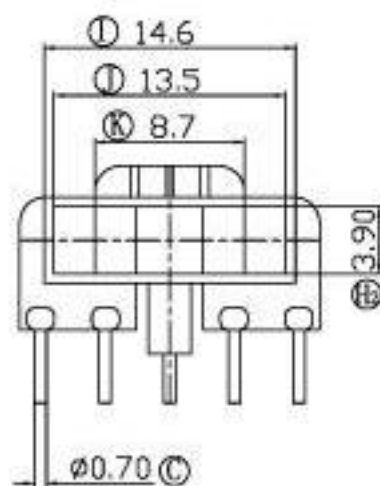
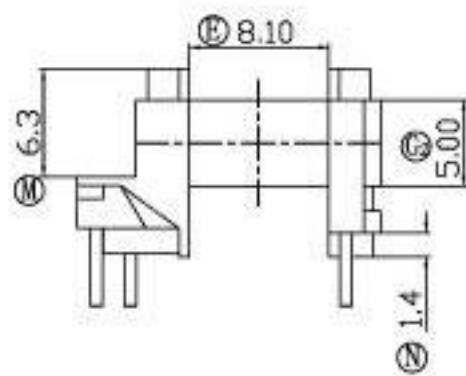
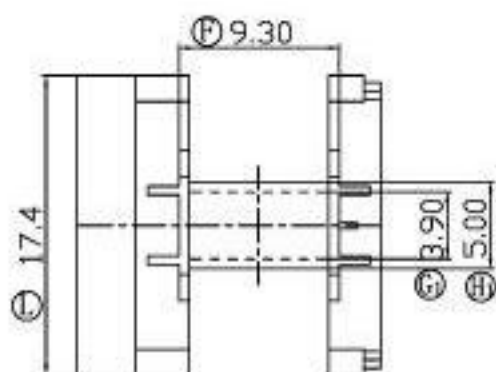
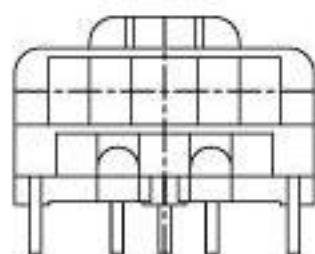


# EF-1501



TOLERANCE		MODEL NAME: EF15 (4+5P) -1S	
X. X	± 0.3	BOBBIN MATERIAL: PHENOLIC	
X. XX	± 0.2	SCALE: 2:1	SCALE: UL 94V-0
壁厚:	± 0.15	SCALE: M/M	
PINPITCH	± 0.2		