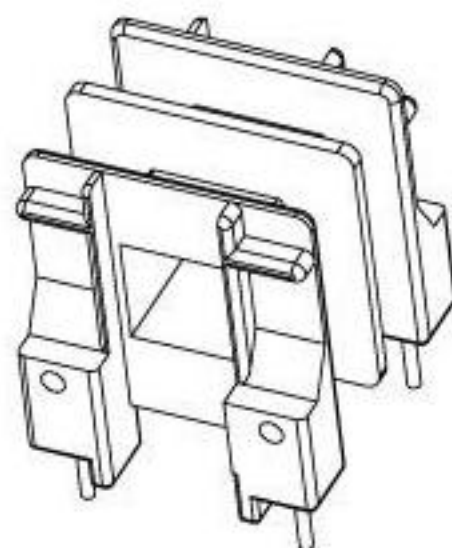
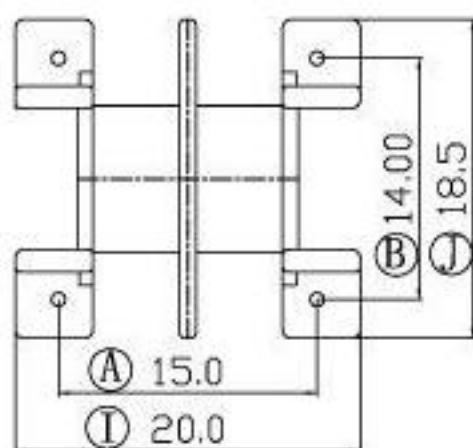
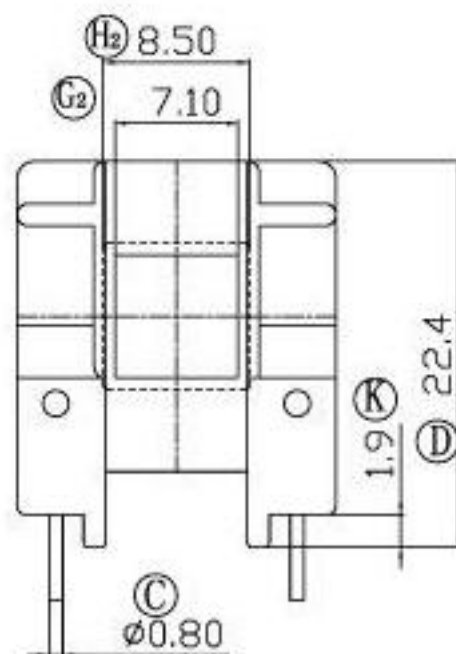
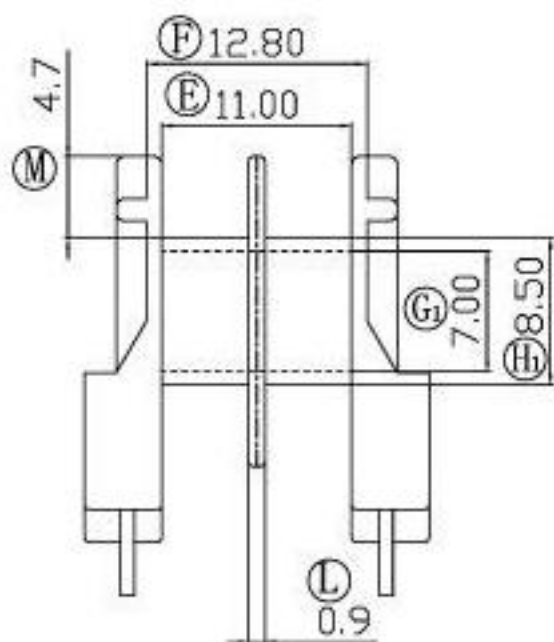


EE-2504



TOLERANCE		MODEL NAME: EE25-(2+2)P-2S	
X, X	± 0.3	BOBBIN MATERIAL: PBT 白色	
X, XX	± 0.2	SCALE: 3:1	SCALE: UL 94V-0
壁厚:	± 0.15		SCALE: M/M
PINPITCH	± 0.2		