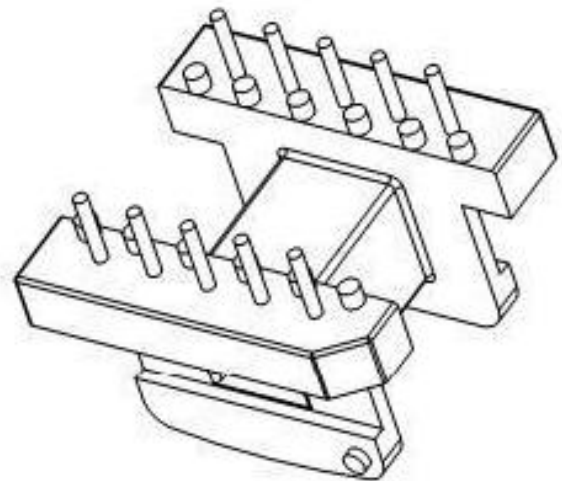
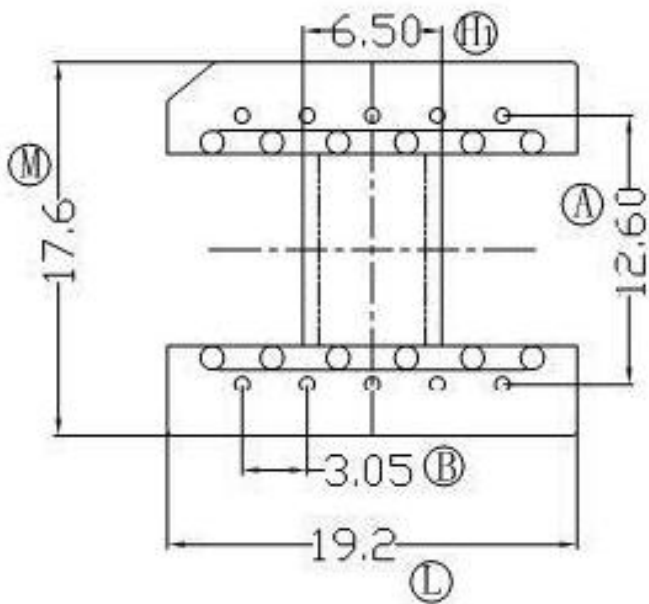
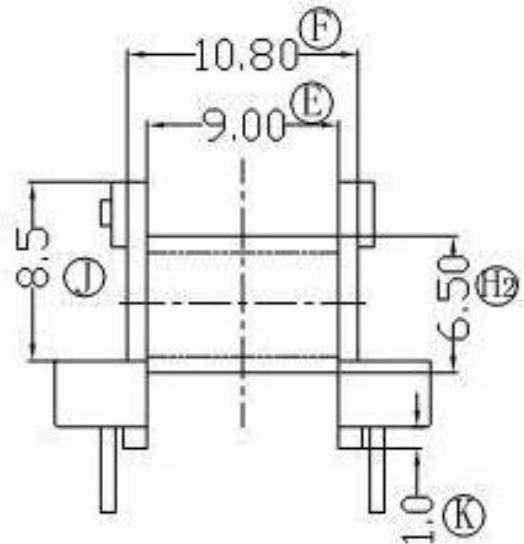
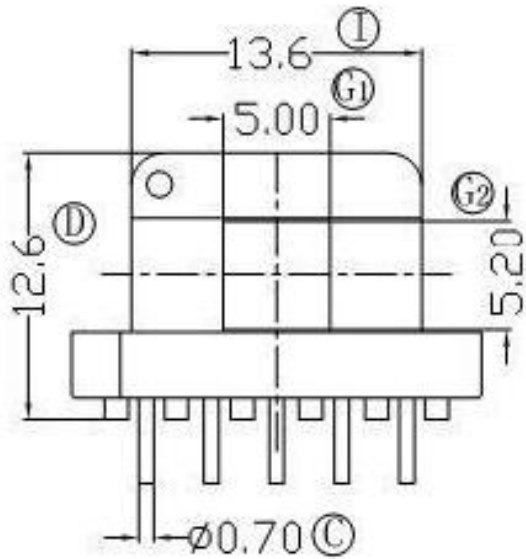


EE-1901-1



TCLERANCE		MODEL NAME: EE19-10P-1S	
X, X	± 0.3	BOBBIN MATERIAL: PHENOLIC	
X, XX	± 0.2	SCALE: 3.5:1	SCALE: UL 94V-0
壁厚:	± 0.15	SCALE: M/M	
PINPITCH	± 0.2		