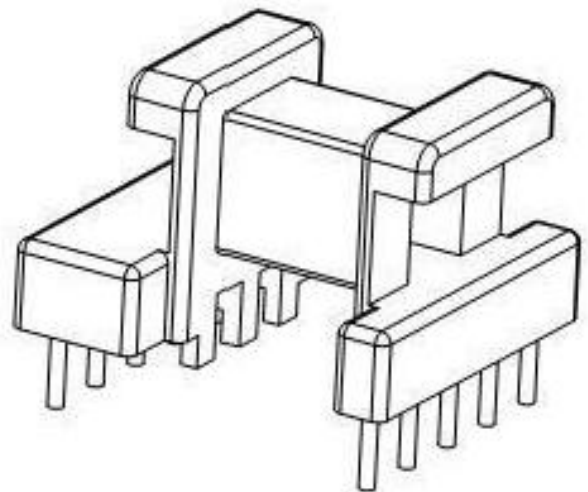
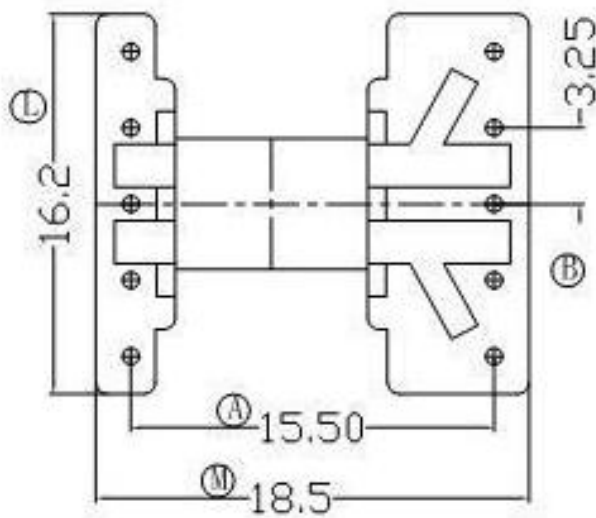
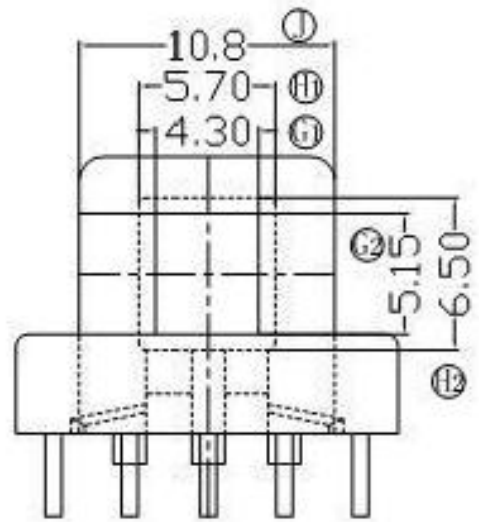
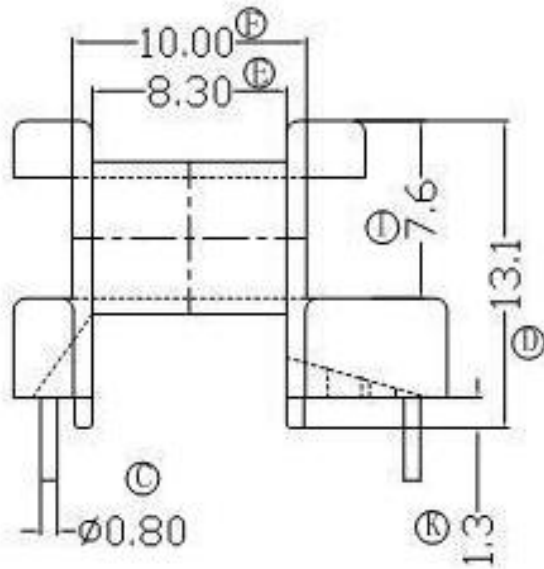
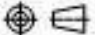


# EE-1608-3



TOLERANCE		MODEL NAME: EE16-10P-1S	
X. X	± 0.3	BOBBIN MATERIAL: PHENOLIC	
X. XX	± 0.2	SCALE: 4:1	SCALE: UL 94V-0
壁厚:	± 0.15	 SCALE: M/M	
PINPITCH	± 0.2		