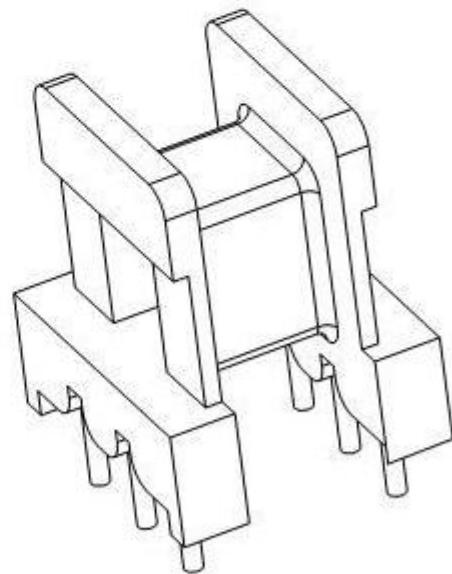
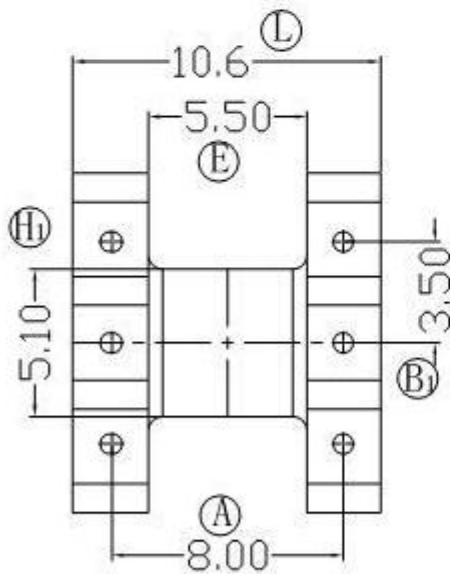
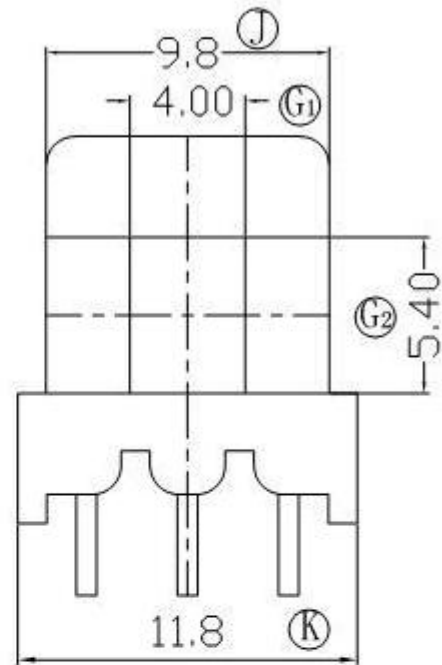
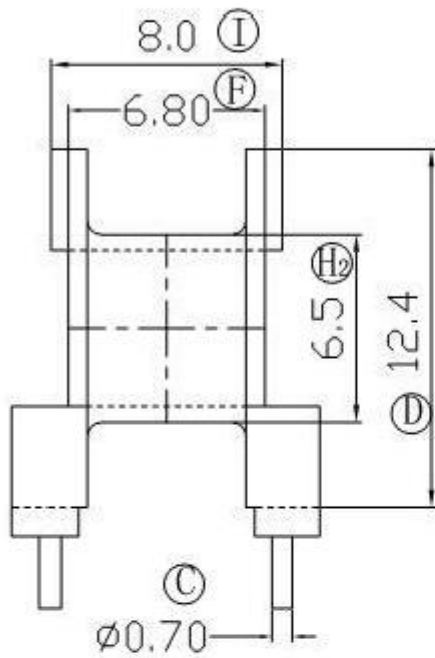


EE-1402



TOLERANCE		MODEL NAME: EE14-6P-1S	
X.X	± 0.3	BOBBIN MATERIAL: PHENOLIC	
X.XX	± 0.2	SCALE: 4:1	SCALE: UL 94V-0
壁厚:	± 0.15	SCALE: M/M	
PINPITCH	± 0.2		