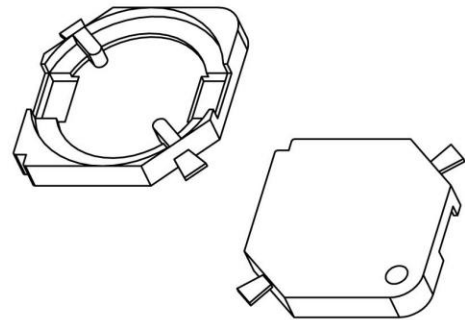
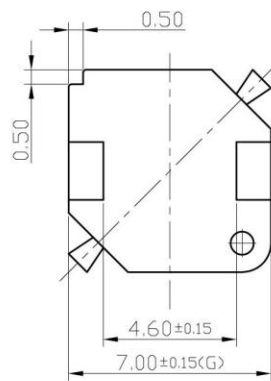
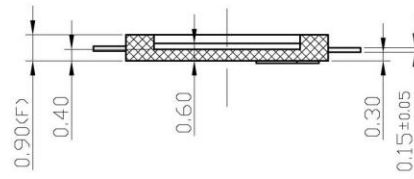
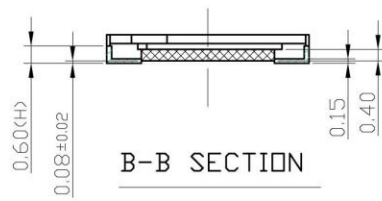
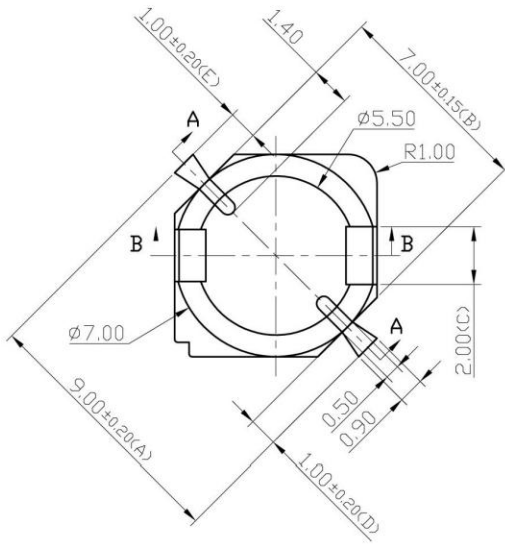


BASE-003



MODEL NAME:	SMD BASE		TOLERANCE:
UNIT:	M/M	BOBBIN MATERIAL: L. C. P E 4008	0<L<4 ±0.1
SCALE:	3.5/1	PIN MATERIAL: PHOSPHOR BRONZE	4<L<16 ±0.2
UL REC:	94V-0	PIN TENSION LOAD:	16<L<50 +0.3
DATE:		DRAWING NO:	PIN PITCG ±0.2
			1.0KG MIN
			SMD BASE-003